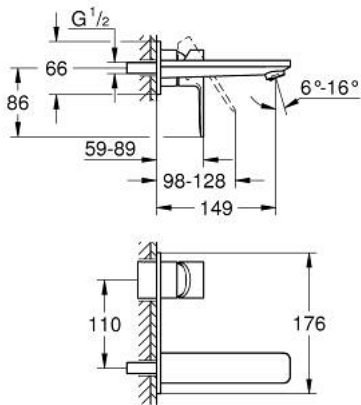


19 409 DC1 LINEARE TWO-HOLE BASIN MIXER M-SIZE



PRODUCT DESCRIPTION

- Colour: supersteel
- wall mounted
- 23 571 000 / 32 635 000
- without concealed body
- metal escutcheon
- metal lever
- GROHE LongLife finish
- AquaCalibrator
- maximum flow rate (at 3 bar): 5 l/min
- GROHE AquaGuide adjustable mousseur
- center distance 110 mm
- projection 149 mm
- min. recommended pressure 1.0 bar

19 409 DC1 LINEARE TWO-HOLE BASIN MIXER M-SIZE

SPARE PARTS, september 2016 – now

1: Lever (Spare part-nr. 46982DC0)

2: Flow straightener (Spare part-nr. 46837DC0)

3: Extension (Spare part-nr. 46943000)*

* Optional accessories

