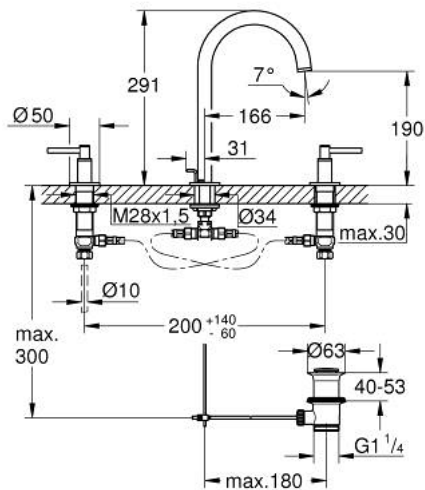


## 20 009 AL3 ATRIO THREE-HOLE BASIN MIXER 1/2" M-SIZE

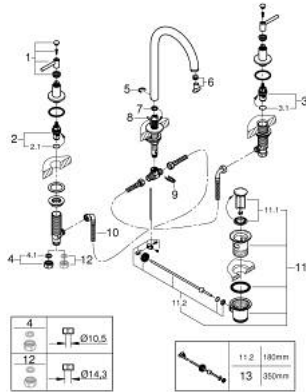


### PRODUCT DESCRIPTION

- Colour: brushed hard graphite
- ceramic headparts 1/2", 90°
- GROHE LongLife finish
- GROHE EcoJoy 5.7 l/min laminar mousseur
- swivel tubular spout with mousseur and stop limiter
- pop-up waste set 1 1/4"
- flexible connection hoses between spout and side valves
- with lever handles
- Two different sets of caps included. One set with "H" and "C" marking, one set without marking.



## 20 009 AL3 ATRIO THREE-HOLE BASIN MIXER 1/2" M-SIZE



### SPARE PARTS, april 2017 – now

- 1: Lever handles (Spare part-nr. 18027AL3)
- 2: Ceramic headpart 1/2" (Spare part-nr. 45882000)
- 2.1: O-ring Ø 18.2 x Ø 1.7 (Spare part-nr. 0392400M)
- 3: Ceramic headpart 1/2" (Spare part-nr. 45883000)
- 3.1: O-ring Ø 18.2 x Ø 1.7 (Spare part-nr. 0392400M)
- 4: Coupling nut 1/2" (Spare part-nr. 1290100M)
- 4.1: Fibre seal Ø 18,5 x Ø 12 x 2 (Spare part-nr. 0138900M)
- 5: Safety ring (Spare part-nr. 4826600M)
- 6: Laminar flow straightener (Spare part-nr. 48408000)
- 7: Sealing washer (Spare part-nr. 0128500M)
- 8: Pop-up rod (Spare part-nr. 65196AL0)
- 9: Fixing clamp (Spare part-nr. 6554100M)
- 10: Flexible connection hose (Spare part-nr. 45704000)
- 11: Waste set 1 1/4" (Spare part-nr. 28910AL0)
- 11.1: Plug (Spare part-nr. 07182AL0)
- 11.2: Eccentric rod (Spare part-nr. 07052000)
- 12: Coupling nut 1/2" x 14.5 mm (Spare part-nr. 1290200M)\*
- 13: Eccentric rod (Spare part-nr. 07341000)\*

\* Optional accessories