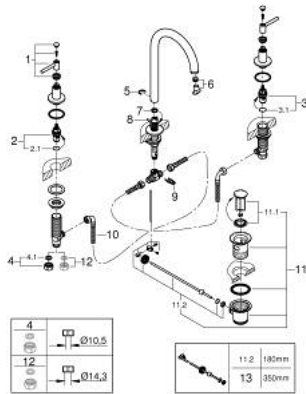


20 009 DC3 ATRIO THREE-HOLE BASIN MIXER 1/2" M-SIZE



SPARE PARTS, april 2017 – now

- 1: Lever handles (Spare part-nr. 18027DC3)
 - 2: Ceramic headpart 1/2" (Spare part-nr. 45882000)
 - 2.1: O-ring Ø 18.2 x Ø 1.7 (Spare part-nr. 0392400M)
 - 3: Ceramic headpart 1/2" (Spare part-nr. 45883000)
 - 3.1: O-ring Ø 18.2 x Ø 1.7 (Spare part-nr. 0392400M)
 - 4: Coupling nut 1/2" (Spare part-nr. 1290100M)
 - 4.1: Fibre seal Ø 18,5 x Ø 12 x 2 (Spare part-nr. 0138900M)
 - 5: Safety ring (Spare part-nr. 4826600M)
 - 6: Laminar flow straightener (Spare part-nr. 48408000)
 - 7: Sealing washer (Spare part-nr. 0128500M)
 - 8: Pop-up rod (Spare part-nr. 65196E0)
 - 9: Fixing clamp (Spare part-nr. 6554100M)
 - 10: Flexible connection hose (Spare part-nr. 45704000)
 - 11: Waste set 1 1/4" (Spare part-nr. 28910DC0)
 - 11.1: Plug (Spare part-nr. 07182DC0)
 - 11.2: Eccentric rod (Spare part-nr. 07052000)
 - 12: Coupling nut 1/2" x 14.5 mm (Spare part-nr. 1290200M)*
 - 13: Eccentric rod (Spare part-nr. 07341000)*
- * Optional accessories