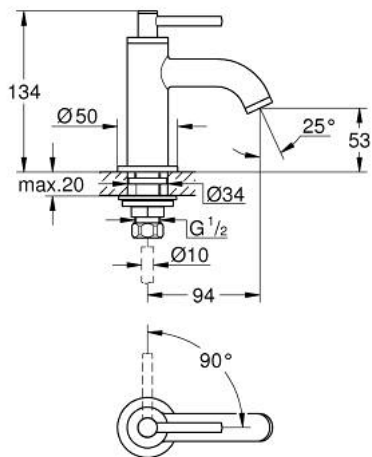


20 021 003 ATRIO PILLAR TAP 1/2" XS-SIZE

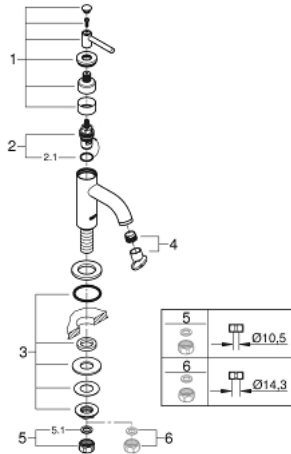


PRODUCT DESCRIPTION

- Colour: chrome
- headpart 1/2" - 90°
- GROHE LongLife finish
- 5.7 l/min laminar mousseur
- rapid installation system
- mousseur
- fixed spout
- with lever handle



20 021 003 ATRIO PILLAR TAP 1/2" XS-SIZE



SPARE PARTS, april 2017 – now

- 1: Lever handles (Spare part-nr. 18027003)
- 2: Ceramic headpart 1/2" (Spare part-nr. 45882000)
- 2.1: O-ring \varnothing 18.2 x \varnothing 1.7 (Spare part-nr. 0392400M)
- 3: Shank mounting kit (Spare part-nr. 45004000)
- 4: Laminar flow straightener (Spare part-nr. 48408000)
- 5: Coupling nut 1/2" (Spare part-nr. 1290100M)
- 5.1: Fibre seal \varnothing 18,5 x \varnothing 12 x 2 (Spare part-nr. 0138900M)
- 6: Coupling nut 1/2" x 14.5 mm (Spare part-nr. 1290200M)*

* Optional accessories