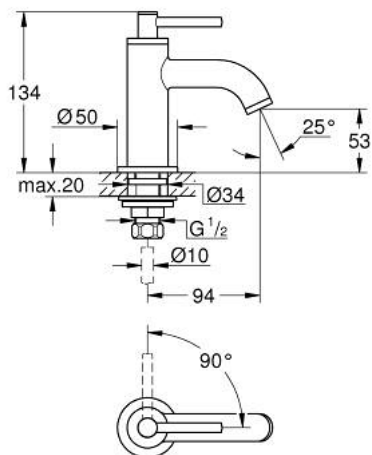


## 20 021 DC3 ATRIO PILLAR TAP 1/2" XS-SIZE

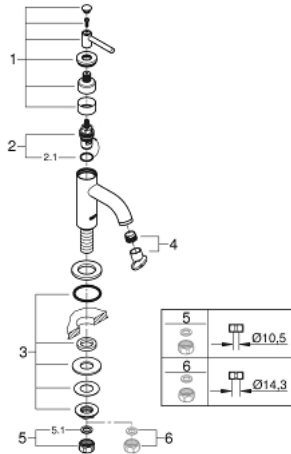


### PRODUCT DESCRIPTION

- Colour: supersteel
- headpart 1/2" - 90°
- GROHE LongLife finish
- 5.7 l/min laminar mousseur
- rapid installation system
- mousseur
- fixed spout
- with lever handle



## 20 021 DC3 ATRIO PILLAR TAP 1/2" XS-SIZE



### SPARE PARTS, april 2017 – now

- 1: Lever handles (Spare part-nr. 18027DC3)
- 2: Ceramic headpart 1/2" (Spare part-nr. 45882000)
- 2.1: O-ring Ø 18.2 x Ø 1.7 (Spare part-nr. 0392400M)
- 3: Shank mounting kit (Spare part-nr. 45004000)
- 4: Laminar flow straightener (Spare part-nr. 48408000)
- 5: Coupling nut 1/2" (Spare part-nr. 1290100M)
- 5.1: Fibre seal Ø 18,5 x Ø 12 x 2 (Spare part-nr. 0138900M)
- 6: Coupling nut 1/2" x 14.5 mm (Spare part-nr. 1290200M)\*

\* Optional accessories