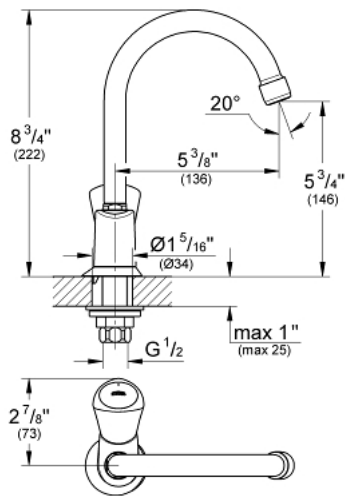


20 179 001 COSTA S PILLAR TAP

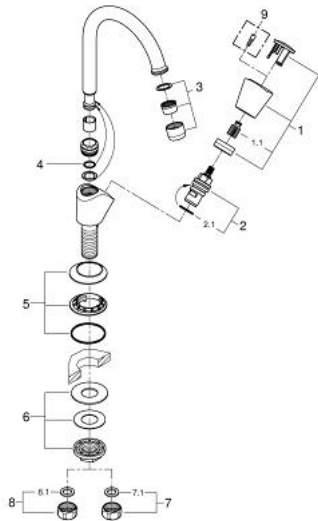


PRODUCT DESCRIPTION

- Colour: chrome
- metal handle
- heat insulated
- screwable
- GROHE LongLife finish
- ceramic headpart 1/2", 90°
- flow straightener
- swivel tubular spout, swivel area 360°
- union nut 1/2" with 10.5 mm drilling



20 179 001 COSTA S PILLAR TAP



SPARE PARTS, april 2014 – now

- 1: Handle (Spare part-nr. 45995000)
- 1.1: Snap insert (Spare part-nr. 0538600M)
- 2: Ceramic headpart 1/2" (Spare part-nr. 45882000)
- 2.1: O-ring \varnothing 18.2 x \varnothing 1.7 (Spare part-nr. 0392400M)
- 3: Mousseur (Spare part-nr. 48251000)
- 4: O-ring \varnothing 12 x \varnothing 2 (Spare part-nr. 0128000M)
- 5: Escutcheon (Spare part-nr. 45996000)
- 6: Shank mounting kit (Spare part-nr. 45004000)
- 7: Coupling nut 1/2" (Spare part-nr. 1290100M)
- 7.1: Fibre seal \varnothing 18,5 x \varnothing 12 x 2 (Spare part-nr. 0138900M)
- 8: Coupling nut 1/2" x 14.5 mm (Spare part-nr. 1290200M)
- 8.1: Fibre seal \varnothing 18,5 x \varnothing 12 x 2 (Spare part-nr. 0138900M)
- 9: Screw for Costa/Avina products (Spare part-nr. 48013000)*

* Optional accessories