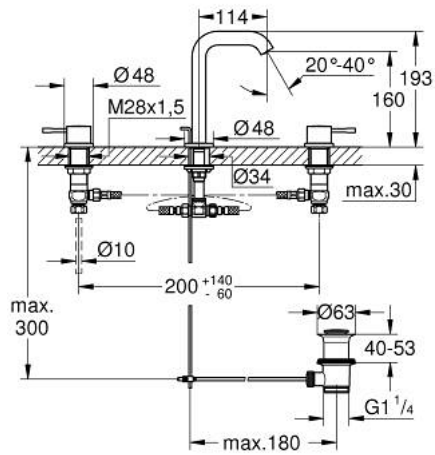


20 296 GL1 ESSENCE THREE-HOLE BASIN MIXER 1/2" M-SIZE



PRODUCT DESCRIPTION

- Colour: cool sunrise
- metal lever
- ceramic headparts 1/2", 90°
- GROHE LongLife finish
- GROHE EcoJoy - Less water, perfect flow
- GROHE EcoJoy mousseur 5.7 l/min
- GROHE AquaGuide adjustable mousseur
- pop-up waste set 1 1/4"
- pressure-proof flexible connection hoses between spout and side valves
- min. recommended pressure 1.0 bar
- union nut 1/2" x 10.5 mm

20 296 GL1 ESSENCE THREE-HOLE BASIN MIXER 1/2" M-SIZE



SPARE PARTS, august 2023 – now

- 1: Essence pair of handles (Spare part-nr. 48330GL0)
- 2: Ceramic headpart 1/2" (Spare part-nr. 45882000)
- 2.1: O-ring \varnothing 18.2 x \varnothing 1.7 (Spare part-nr. 0392400M)
- 3: Ceramic headpart 1/2" (Spare part-nr. 45883000)
- 3.1: O-ring \varnothing 18.2 x \varnothing 1.7 (Spare part-nr. 0392400M)
- 4: Pop-up rod (Spare part-nr. 65196GL0)
- 5: Mousseur (Spare part-nr. 48270000)
- 6: Fixing clamp (Spare part-nr. 6554100M)
- 7: Waste set 1 1/4" (Spare part-nr. 28910GL0)
- 7.1: Plug (Spare part-nr. 07182GL0)
- 7.2: Eccentric rod (Spare part-nr. 07052000)
- 8: Coupling nut 1/2" (Spare part-nr. 1290100M)
- 8.1: Fibre seal \varnothing 18,5 x \varnothing 12 x 2 (Spare part-nr. 0138900M)
- 9: Flexible connection hose (Spare part-nr. 45704000)
- 10: Eccentric rod (Spare part-nr. 07341000)*

* Optional accessories