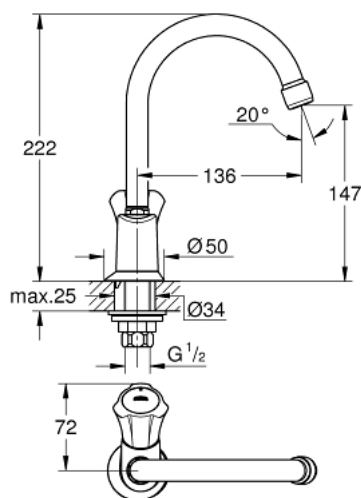


20 393 001 **COSTA L PILLAR TAP 1/2"**

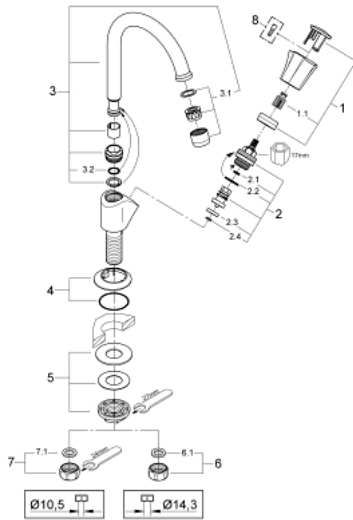


PRODUCT DESCRIPTION

- Colour: chrome
- metal handle
- heat insulated
- screwable
- marking: blue
- GROHE Long-Life headpart
- swivel tubular spout with mousseur
- union nut 1/2" with 10.5 mm drilling
- GROHE LongLife finish



20 393 001 **COSTA L PILLAR TAP 1/2"**



SPARE PARTS, december 2007 – now

- 1: Handle (Spare part-nr. 45994000)
 - 1.1: Snap insert (Spare part-nr. 0538600M)
 - 2: Headpart 1/2" (Spare part-nr. 07146000)
 - 2.1: Sealing washer $\varnothing 6 \times \varnothing 2$ (Spare part-nr. 0128300M)
 - 2.2: O-ring $\varnothing 18.2 \times \varnothing 1.7$ (Spare part-nr. 0392400M)
 - 2.3: Seal (Spare part-nr. 0529100M)
 - 3: Spout (Spare part-nr. 13219000)
 - 3.1: Mousseur (Spare part-nr. 13928000)
 - 3.2: O-ring $\varnothing 12 \times \varnothing 2$ (Spare part-nr. 0128000M)
 - 4: Escutcheon (Spare part-nr. 45996000)
 - 5: Shank mounting kit (Spare part-nr. 45004000)
 - 6: Coupling nut 1/2" x 14.5 mm (Spare part-nr. 1290200M)
 - 6.1: Fibre seal $\varnothing 18,5 \times \varnothing 12 \times 2$ (Spare part-nr. 0138900M)
 - 7: Coupling nut 1/2" (Spare part-nr. 1290100M)
 - 7.1: Fibre seal $\varnothing 18,5 \times \varnothing 12 \times 2$ (Spare part-nr. 0138900M)
 - 8: Screw for Costa/Avina products (Spare part-nr. 48013000)*
- * Optional accessories