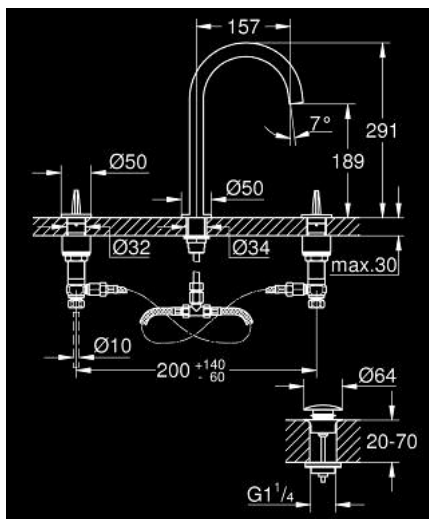


20 609 SD0 ATRIO ICON 3D 3-HOLE DECK-MOUNT BASIN MIXER

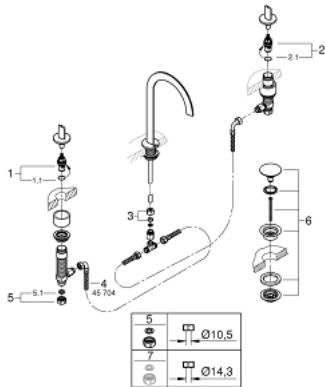


PRODUCT DESCRIPTION

- Colour: stainless steel
- open spout for pure laminar water flow
- red and blue markings on handles for hot and cold water
- valves hot/cold with ceramic headparts
- push-open waste set 1 1/4"
- pressure-proof flexible connection hoses between spout and side valves
- technical data
- flow pressure min 0.5 bar
- recommended pressure 1.0 - 5.0 bar
- if static pressure is more than 5 bar fit pressure reducer
- avoid major pressure differences between cold and hot water supply
- flow rate at 3 bar flow pressure: approx. 5 l/min
- max. temperature hot water inlet: 80°C
- recommended temperature hot water inlet (energy saving): 60°C



20 609 SD0 ATRIO ICON 3D 3-HOLE DECK-MOUNT BASIN MIXER



SPARE PARTS, september 2018 – now

- 1: Ceramic headpart 1/2" (Spare part-nr. 45882000)
 - 1.1: O-ring Ø 18.2 x Ø 1.7 (Spare part-nr. 0392400M)
 - 2: Ceramic headpart 1/2" (Spare part-nr. 45883000)
 - 2.1: O-ring Ø 18.2 x Ø 1.7 (Spare part-nr. 0392400M)
 - 3: Compression union 3/8" (Spare part-nr. 12914000)
 - 4: Flexible connection hose (Spare part-nr. 45704000)
 - 5: Coupling nut 1/2" (Spare part-nr. 1290100M)
 - 5.1: Fibre seal Ø 18,5 x Ø 12 x 2 (Spare part-nr. 0138900M)
 - 6: Waste set with push-open plug (Spare part-nr. 65807000)
 - 7: Coupling nut 1/2" x 14.5 mm (Spare part-nr. 1290200M)*
- * Optional accessories