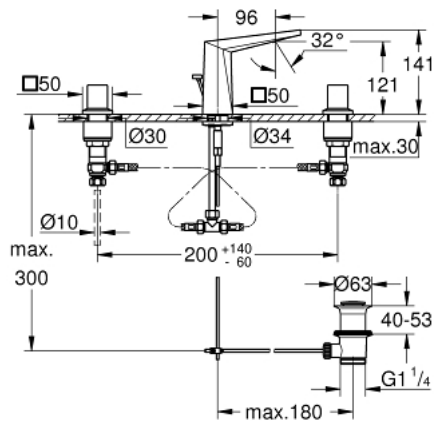


20 626 DC0 ALLURE BRILLIANT THREE-HOLE BASIN MIXER 1/2" M-SIZE

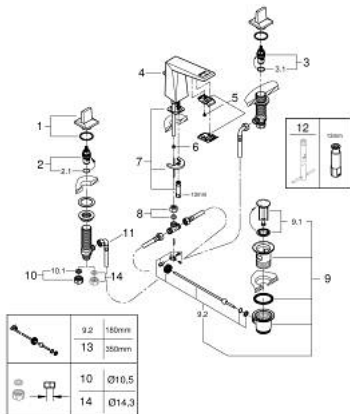


PRODUCT DESCRIPTION

- Colour: supersteel
- ceramic headparts 1/2", 90°
- GROHE LongLife finish
- GROHE EcoJoy - Less water, perfect flow
- maximum flow rate (at 3 bar): 5 l/min
- low spout with integrated mousseur
- pop-up waste set 1 1/4"
- pressure-proof flexible connection hoses between spout and side valves
- min. recommended pressure 1.0 bar



20 626 DC0 ALLURE BRILLIANT THREE-HOLE BASIN MIXER 1/2" M-SIZE



SPARE PARTS, oktober 2021 – now

- 1: Handle pair (Spare part-nr. 48320DC0)
 - 2: Ceramic headpart 1/2" (Spare part-nr. 45882000)
 - 2.1: O-ring Ø 18.2 x Ø 1.7 (Spare part-nr. 0392400M)
 - 3: Ceramic headpart 1/2" (Spare part-nr. 45883000)
 - 3.1: O-ring Ø 18.2 x Ø 1.7 (Spare part-nr. 0392400M)
 - 4: Pop-up rod (Spare part-nr. 46787DC0)
 - 5: Race (Spare part-nr. 46794DC0)
 - 6: Flow limiter (Spare part-nr. 48160000)
 - 7: Shank mounting kit (Spare part-nr. 46671000)
 - 8: Compression union 3/8" (Spare part-nr. 12914000)
 - 8.1: Seal (Spare part-nr. 45279000)
 - 9: Waste set 1 1/4" (Spare part-nr. 28910DC0)
 - 9.1: Plug (Spare part-nr. 07182DC0)
 - 9.2: Eccentric rod (Spare part-nr. 07052000)
 - 10: Coupling nut 1/2" (Spare part-nr. 1290100M)
 - 10.1: Fibre seal Ø 18,5 x Ø 12 x 2 (Spare part-nr. 0138900M)
 - 11: Flexible connection hose (Spare part-nr. 45704000)
 - 12: Mounting wrench (Spare part-nr. 19017000)*
 - 13: Eccentric rod (Spare part-nr. 07341000)*
 - 14: Coupling nut 1/2" x 14.5 mm (Spare part-nr. 1290200M)*
 - 14.1: Fibre seal Ø 18,5 x Ø 12 x 2 (Spare part-nr. 0138900M)
- * Optional accessories