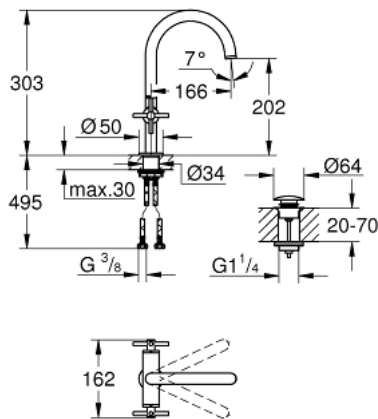


21 019 DC3 ATRIO ONE-HOLE BASIN MIXER, 1/2" L-SIZE

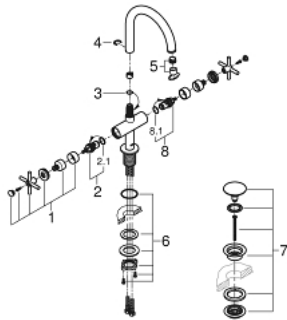


PRODUCT DESCRIPTION

- Colour: supersteel
- ceramic headparts 1/2", 90°
- GROHE LongLife finish
- 5.7 l/min laminar mousseur
- rapid installation system
- swivel tubular spout with mousseur and stop limiter
- push-open waste set 1 1/4"
- flexible connection hoses
- with cross handles
- Two different sets of caps included. One set with "H" and "C" marking, one set without marking.



21 019 DC3 **ATRIO ONE-HOLE BASIN MIXER, 1/2"**
L-SIZE



SPARE PARTS, avgust 2018 – now

- 1: Cross handles (Spare part-nr. 18026DC3)
- 2: Ceramic headpart 1/2" (Spare part-nr. 45883000)
- 2.1: O-ring \varnothing 18.2 x \varnothing 1.7 (Spare part-nr. 0392400M)
- 3: Sealing washer (Spare part-nr. 0128500M)
- 4: Safety ring (Spare part-nr. 4826600M)
- 5: Laminar flow straightener (Spare part-nr. 48408000)
- 6: Shank fastening assembly (Spare part-nr. 48384000)
- 7: Waste set with push-open plug (Spare part-nr. 65807DC0)
- 8: Ceramic headpart 1/2" (Spare part-nr. 45882000)
- 8.1: O-ring \varnothing 18.2 x \varnothing 1.7 (Spare part-nr. 0392400M)