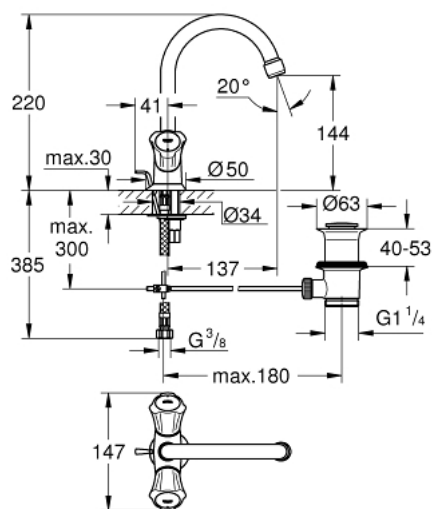


21 094 001 **COSTA L ONE-HOLE BASIN MIXER, 1/2"**

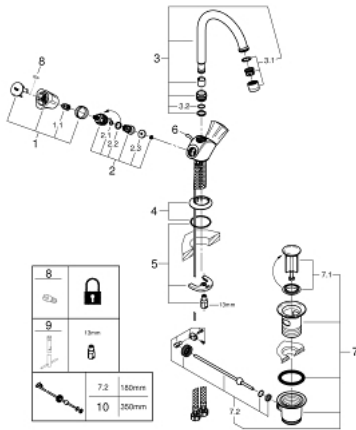


PRODUCT DESCRIPTION

- Colour: chrome
- metal handles
- heat insulated
- screwable
- GROHE Long-Life headpart
- swivel tubular spout
- mousseur
- pop-up waste set 1 1/4"
- flexible connection hoses
- GROHE LongLife finish
- NF approval



21 094 001 COSTA L ONE-HOLE BASIN MIXER, 1/2"



SPARE PARTS, august 2011 – now

- 1: Handle (Spare part-nr. 45994000)
- 1.1: Snap insert (Spare part-nr. 0538600M)
- 2: Headpart 1/2" (Spare part-nr. 07146000)
- 2.1: Sealing washer $\varnothing 6 \times \varnothing 2$ (Spare part-nr. 0128300M)
- 2.2: O-ring $\varnothing 18.2 \times \varnothing 1.7$ (Spare part-nr. 0392400M)
- 2.3: Seal (Spare part-nr. 0529100M)
- 3: Spout (Spare part-nr. 13219000)
- 3.1: Mousseur (Spare part-nr. 13928000)
- 3.2: O-ring $\varnothing 12 \times \varnothing 2$ (Spare part-nr. 0128000M)
- 4: Escutcheon (Spare part-nr. 48004000)
- 5: Shank mounting kit (Spare part-nr. 46249000)
- 6: Lift rod (Spare part-nr. 65936PD0)
- 7: Waste set 1 1/4" (Spare part-nr. 28910000)
- 7.1: Plug (Spare part-nr. 07182000)
- 7.2: Eccentric rod (Spare part-nr. 07052000)
- 8: Screw for Costa/Avina products (Spare part-nr. 48013000)*
- 9: Mounting wrench (Spare part-nr. 19017000)*
- 10: Eccentric rod (Spare part-nr. 07341000)*

* Optional accessories