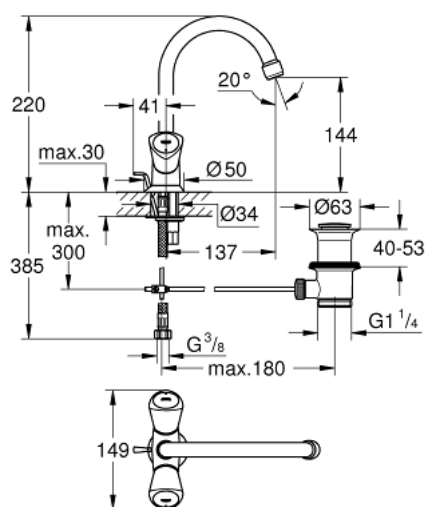


21 097 001 **COSTA S ONE-HOLE BASIN MIXER, 1/2"**

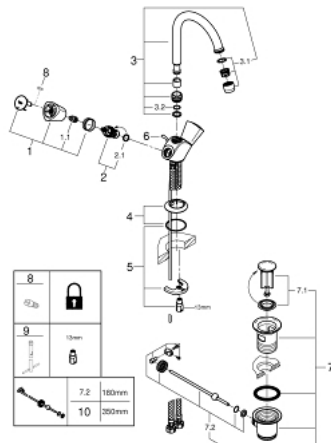


PRODUCT DESCRIPTION

- Colour: chrome
- metal handles
- heat insulated
- screwable
- GROHE Long-Life headpart
- swivel tubular spout
- mousseur
- pop-up waste set 1 1/4"
- flexible connection hoses
- GROHE LongLife finish
- NF approval



21 097 001 COSTA S ONE-HOLE BASIN MIXER, 1/2"



SPARE PARTS, september 2016 – now

- 1: Handle (Spare part-nr. 45995000)
 - 1.1: Snap insert (Spare part-nr. 0538600M)
 - 2: Ceramic headpart 1/2" (Spare part-nr. 45346000)
 - 2.1: O-ring Ø 18.2 x Ø 1.7 (Spare part-nr. 0392400M)
 - 3: Spout (Spare part-nr. 13219000)
 - 3.1: Mousseur (Spare part-nr. 13928000)
 - 3.2: O-ring Ø 12 x Ø 2 (Spare part-nr. 0128000M)
 - 4: Escutcheon (Spare part-nr. 48004000)
 - 5: Shank mounting kit (Spare part-nr. 46249000)
 - 6: Lift rod (Spare part-nr. 65936PD0)
 - 7: Waste set 1 1/4" (Spare part-nr. 28910000)
 - 7.1: Plug (Spare part-nr. 07182000)
 - 7.2: Eccentric rod (Spare part-nr. 07052000)
 - 8: Screw for Costa/Avina products (Spare part-nr. 48013000)*
 - 9: Mounting wrench (Spare part-nr. 19017000)*
 - 10: Eccentric rod (Spare part-nr. 07341000)*
- * Optional accessories