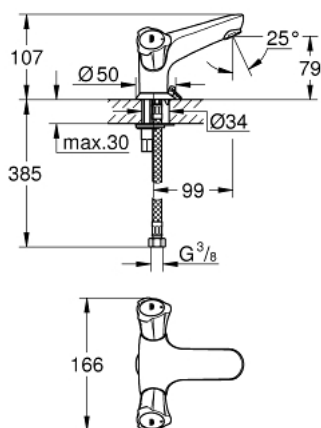


21 100 001 COSTA L ONE-HOLE BASIN MIXER, 1/2"

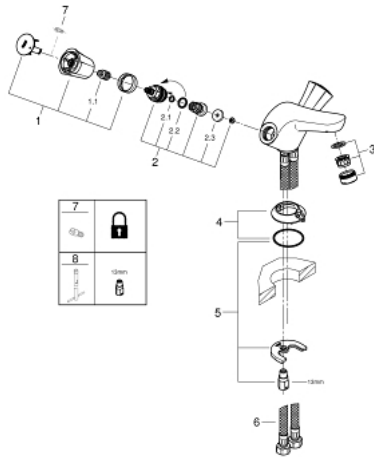


PRODUCT DESCRIPTION

- Colour: chrome
- metal handles
- heat insulated
- screwable
- GROHE Long-Life headpart
- cast spout with mousseur
- chain ring
- flexible connection hoses
- GROHE LongLife finish



21 100 001 COSTA L ONE-HOLE BASIN MIXER, 1/2"



SPARE PARTS, august 2016 – now

- 1: Handle (Spare part-nr. 45994000)
- 1.1: Snap insert (Spare part-nr. 0538600M)
- 2: Headpart 1/2" (Spare part-nr. 07146000)
- 2.1: Sealing washer $\varnothing 6 \times \varnothing 2$ (Spare part-nr. 0128300M)
- 2.2: O-ring $\varnothing 18.2 \times \varnothing 1.7$ (Spare part-nr. 0392400M)
- 2.3: Seal (Spare part-nr. 0529100M)
- 3: Mousseur (Spare part-nr. 13929000)
- 4: Escutcheon (Spare part-nr. 48005000)
- 5: Shank mounting kit (Spare part-nr. 46249000)
- 6: Connection hose (Spare part-nr. 46255000)
- 7: Screw for Costa/Avina products (Spare part-nr. 48013000)*
- 8: Mounting wrench (Spare part-nr. 19017000)*

* Optional accessories