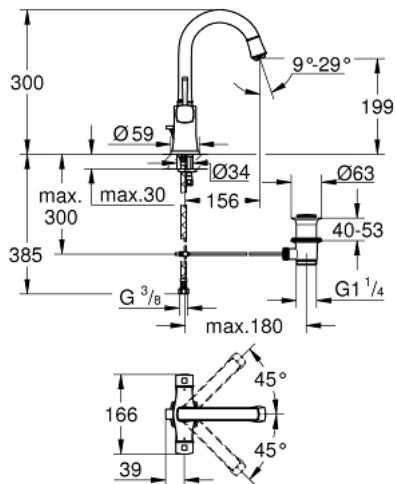


## 21 107 IG0 GRANDERA TWO-HANDLE BASIN MIXER, 1/2" L-SIZE

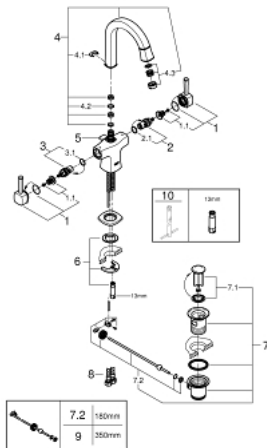


### PRODUCT DESCRIPTION

- Colour: chrome/gold
- single hole installation
- valves hot/cold with ceramic headparts 1/2" - 90°
- GROHE LongLife finish
- GROHE EcoJoy - Less water, perfect flow
- GROHE AquaGuide adjustable mousseur 5.7 l/min
- swivel spout
- pop-up waste set 1 1/4"
- flexible connection hoses
- min. recommended pressure 1.0 bar



## 21 107 IG0 GRANDERA TWO-HANDLE BASIN MIXER, 1/2" L-SIZE



### SPARE PARTS, august 2016 – now

- 1: Grandera handle (Spare part-nr. 48218IG0)
- 1.1: Replacement handle connection kit (Spare part-nr. 45186000)
  - 1.1.1: O-ring  $\varnothing$  18.2 x  $\varnothing$  1.7 (Spare part-nr. 0392400M)
- 2: Ceramic headpart 1/2" (Spare part-nr. 45882000)
  - 2.1: O-ring  $\varnothing$  18.2 x  $\varnothing$  1.7 (Spare part-nr. 0392400M)
- 3: Ceramic headpart 1/2" (Spare part-nr. 45883000)
  - 3.1: O-ring  $\varnothing$  18.2 x  $\varnothing$  1.7 (Spare part-nr. 0392400M)
- 4: Spout (Spare part-nr. 13349IG0)
  - 4.1: Locking ring (Spare part-nr. 4821900M)
  - 4.2: Sealing washer (Spare part-nr. 0128500M)
  - 4.3: Flow straightener (Spare part-nr. 46837G00)
- 5: Pop-up rod (Spare part-nr. 46787000)
- 6: Shank mounting kit (Spare part-nr. 46671000)
- 7: Waste set 1 1/4" (Spare part-nr. 28910000)
  - 7.1: Plug (Spare part-nr. 07182000)
  - 7.2: Eccentric rod (Spare part-nr. 07052000)
- 8: Connection hose (Spare part-nr. 46255000)
- 9: Eccentric rod (Spare part-nr. 07341000)\*
- 10: Mounting wrench (Spare part-nr. 19017000)\*

\* Optional accessories