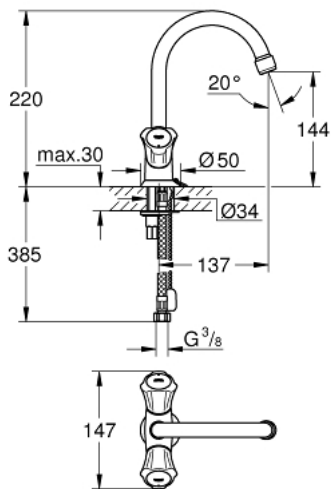


21 337 001 **COSTA L ONE-HOLE BASIN MIXER, 1/2"**

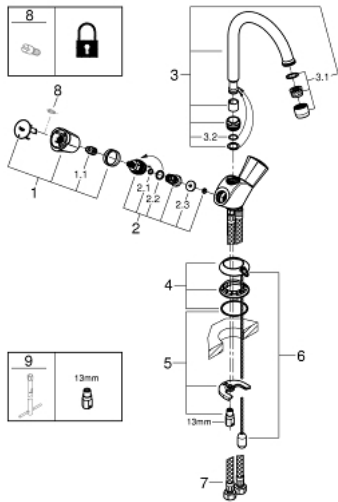


PRODUCT DESCRIPTION

- Colour: chrome
- metal handles
- heat insulated
- screwable
- swivel tubular spout with mousseur
- retractable chain
- flexible connection hoses
- GROHE LongLife finish



21 337 001 COSTA L ONE-HOLE BASIN MIXER, 1/2"



SPARE PARTS, september 2016 – now

- 1: Handle (Spare part-nr. 45994000)
 - 1.1: Snap insert (Spare part-nr. 0538600M)
 - 2: Headpart 1/2" (Spare part-nr. 07146000)
 - 2.1: Sealing washer Ø 6 x Ø 2 (Spare part-nr. 0128300M)
 - 2.2: O-ring Ø 18.2 x Ø 1.7 (Spare part-nr. 0392400M)
 - 2.3: Seal (Spare part-nr. 0529100M)
 - 3: Spout (Spare part-nr. 13219000)
 - 3.1: Mousseur (Spare part-nr. 13928000)
 - 3.2: O-ring Ø 12 x Ø 2 (Spare part-nr. 0128000M)
 - 4: Escutcheon (Spare part-nr. 48004000)
 - 5: Shank mounting kit (Spare part-nr. 46249000)
 - 6: Chain (Spare part-nr. 06815000)
 - 7: Connection hose (Spare part-nr. 46255000)
 - 8: Screw for Costa/Avina products (Spare part-nr. 48013000)*
 - 9: Mounting wrench (Spare part-nr. 19017000)*
- * Optional accessories