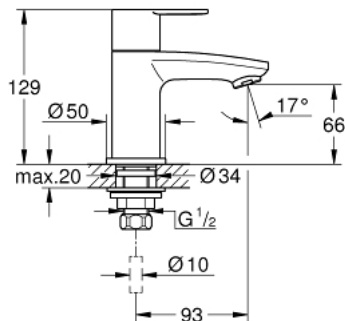


23 039 002 **EUROSTYLE COSMOPOLITAN PILLAR TAP**  
**XS-SIZE**

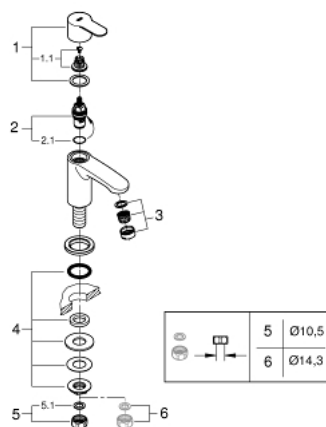


**PRODUCT DESCRIPTION**

- Colour: chrome
- single hole installation
- metal lever
- ceramic headpart 1/2", 90°
- GROHE LongLife finish
- mousseur
- min. recommended pressure 1.0 bar
- noise classification I in accordance with DIN 4109
- union nut 1/2" x 10.5 mm



## 23 039 002 EUROSTYLE COSMOPOLITAN PILLAR TAP XS-SIZE



### SPARE PARTS, marec 2010 – now

- 1: Handle (Spare part-nr. 48067000)
  - 1.1: Replacement handle connection kit (Spare part-nr. 45186000)
  - 1.1.1: O-ring Ø 18.2 x Ø 1.7 (Spare part-nr. 0392400M)
  - 2: Ceramic headpart 1/2" (Spare part-nr. 45882000)
  - 2.1: O-ring Ø 18.2 x Ø 1.7 (Spare part-nr. 0392400M)
  - 3: Economy mousseur (Spare part-nr. 13951000)
  - 4: Shank fastening assembly 1/2" (Spare part-nr. 45000000)
  - 5: Coupling nut 1/2" (Spare part-nr. 1290100M)
  - 5.1: Fibre seal Ø 18,5 x Ø 12 x 2 (Spare part-nr. 0138900M)
  - 6: Coupling nut 1/2" x 14.5 mm (Spare part-nr. 1290200M)\*
- \* Optional accessories