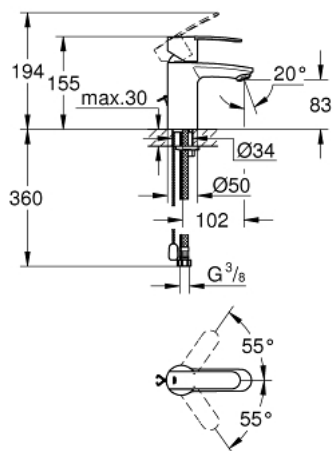


23 204 000 **WAVE COSMOPOLITAN SINGLE-LEVER BASIN MIXER 1/2"**
S-SIZE

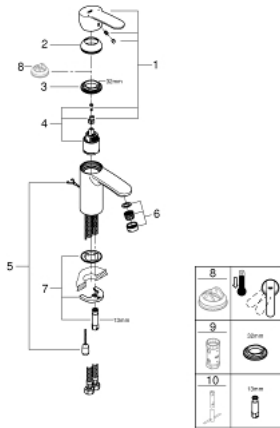


PRODUCT DESCRIPTION

- Colour: chrome
- single hole installation
- metal lever
- GROHE SilkMove 35 mm ceramic cartridge
- adjustable minimum flow rate approx. 2.5 l/min
- GROHE LongLife finish
- GROHE EcoJoy - Less water, perfect flow
- GROHE SpeedClean mousseur 5.7 l/min
- retractable chain
- flexible connection hoses
- GROHE FastFixation installation system with centering support
- optional temperature limiter ref. no. 46 375
- GROHE QuickTool included



23 204 000 **WAVE COSMOPOLITAN SINGLE-LEVER BASIN MIXER 1/2"**
S-SIZE



SPARE PARTS, februar 2011 – now

- 1: Lever (Spare part-nr. 46748000)
- 2: Cap (Spare part-nr. 46492000)
- 3: Screw coupling (Spare part-nr. 46460000)
- 4: Cartridge (Spare part-nr. 46374000)
- 5: Chain (Spare part-nr. 06815000)
- 6: Laminar flow straightener (Spare part-nr. 13955000)
- 6: Mousseur (Spare part-nr. 48159000)
- 7: Shank mounting kit (Spare part-nr. 46671000)
- 8: Temperature limiter (Spare part-nr. 46375000)*
- 9: Socket spanner (Spare part-nr. 19332000)*
- 10: Mounting wrench (Spare part-nr. 19017000)*

* Optional accessories