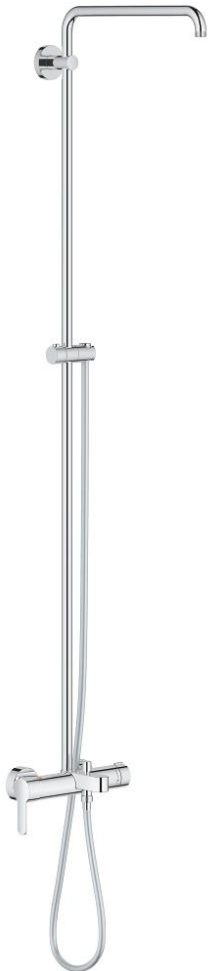
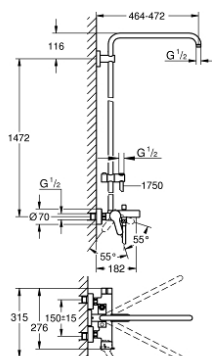


26 322 000 EUPHORIA SYSTEM SHOWER SYSTEM WITH SINGLE LEVER BATH MIXER FOR WALL MOUNTING

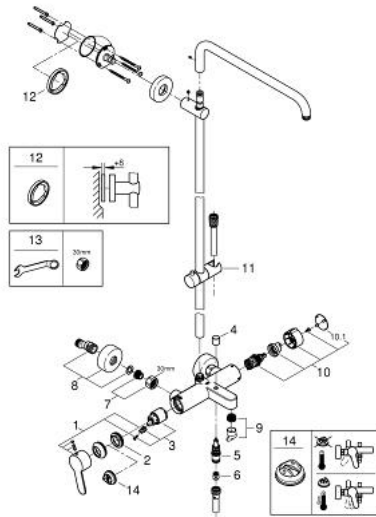


PRODUCT DESCRIPTION

- Colour: chrome
- consisting of:
 - horizontal swivable 450 mm shower arm
 - exposed single-lever bath mixer with diverter handle
 - separate diverter for hand shower
 - gliding element
 - shower hose Silverflex 1750 mm 1/2" x 1/2" (28 388)
 - GROHE SilkMove 35 mm ceramic cartridge
 - GROHE LongLife finish
 - Inner WaterGuide - inner insulation for surface protection
 - TwistStop - to prevent hose from twisting
 - suitable for instantaneous heaters from 18 kW/h
 - minimum flow rate 7 l/min
 - min. recommended pressure 1.0 bar
 - head and hand shower must be ordered separately



26 322 000 EUPHORIA SYSTEM SHOWER SYSTEM WITH SINGLE LEVER BATH MIXER FOR WALL MOUNTING



SPARE PARTS, oktober 2014 – now

- 1: Lever (Spare part-nr. 46750000)
- 2: Screw coupling (Spare part-nr. 46460000)
- 3: Cartridge (Spare part-nr. 46374000)
- 4: Diverter knob (Spare part-nr. 64309000)
- 5: Diverter (Spare part-nr. 65655000)
- 6: Non-return valve (Spare part-nr. 08565000)
- 7: Shank mounting kit (Spare part-nr. 45004000)
- 8: S-union (Spare part-nr. 12662000)
- 9: Mousseur (Spare part-nr. 13926000)
- 10: Diverter (Spare part-nr. 46921000)
- 10.1: Cover cap (Spare part-nr. 4788300M)
- 11: Glide element (Spare part-nr. 12140000)
- 12: Compensation disc (Spare part-nr. 27180000)*
- 13: Special spanner (Spare part-nr. 19377000)*
- 14: Temperature limiter (Spare part-nr. 46375000)*

* Optional accessories