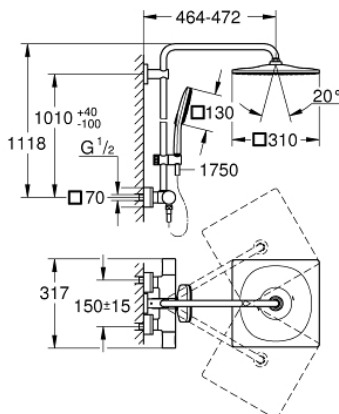


26 649 000 RAINSHOWER SMARTACTIVE 310 SHOWER SYSTEM WITH THERMOSTAT FOR WALL MOUNTING

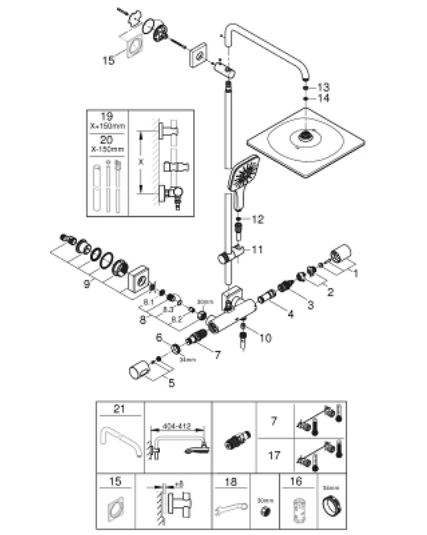


PRODUCT DESCRIPTION

- Colour: chrome
- consisting of:
 - horizontal swivable 450 mm shower arm
 - exposed thermostat with Aquadimmer function
 - allows change between:
 - head shower Rainshower Mono 310 Cube
 - maximum flow rate (at 3 bar): 13.5 l/min
 - with ball joint
 - rotation angle $\pm 15^\circ$
 - Rainshower SmartActive 130 Cube hand shower 3 sprays
 - maximum flow rate (at 3 bar): 12 l/min
 - adjustable in height with gliding element
 - including performance grip
 - Silverflex shower hose 1750 mm
 - GROHE TurboStat - compact cartridge with wax thermoelement
 - GROHE SafeStop safety button at 38°C
 - GROHE SafeStop Plus optional temperature limiter at 43°C included
 - GROHE CoolTouch - no risk of scalding
 - GROHE DreamSpray - perfect spray pattern
 - GROHE SmartTip showering spray selection via push of a ring
 - GROHE LongLife finish
- Flexible Installation - 1 adjustable bracket for existing drill holes
- GROHE SpeedClean - effortless limescale removal
- suitable for instantaneous heaters from 18 kW/h
- minimum flow rate 5 l/min



26 649 000 RAINSHOWER SMARTACTIVE 310 SHOWER SYSTEM WITH THERMOSTAT FOR WALL MOUNTING



SPARE PARTS, avgust 2018 – marec 2021

- 1: Aquadimmer handle (Spare part-nr. 47804000)
- 2: Stop (Spare part-nr. 47723000)
- 3: Aquadimmer (Spare part-nr. 47364000)
- 4: Water flow (Spare part-nr. 47887000)
- 5: Temperature scale handle (Spare part-nr. 47811000)
- 6: Fitting ring (Spare part-nr. 47743000)
- 7: Thermostatic compact cartridge 1/2" (Spare part-nr. 47439000)
- 8: Non-return valve (Spare part-nr. 47189000)
- 8.1: Dirt strainer (Spare part-nr. 0726400M)
- 8.2: Non-return valve (Spare part-nr. 08565000)
- 8.3: O-ring $\varnothing 17 \times \varnothing 2$ (Spare part-nr. 0305500M)
- 9: S-union (Spare part-nr. 47824000)
- 10: Non-return valve (Spare part-nr. 08565000)
- 11: Glide element (Spare part-nr. 48424000)
- 12: Dirt strainer (Spare part-nr. 0700200M)
- 13: Fibre seal $\varnothing 18,5 \times \varnothing 12 \times 2$ (Spare part-nr. 0138900M)
- 14: Dirt strainer (Spare part-nr. 48007000)
- 15: Compensation disc (Spare part-nr. 27617000)*
- 16: Socket spanner (Spare part-nr. 19332000)*
- 17: GROHE TurboStat cartridge 1/2" (Spare part-nr. 47175000)*
- 18: Special spanner (Spare part-nr. 19377000)*
- 19: Shower system pipe for retrofitting (Spare part-nr. 48053000)*
- 20: Shower system pipe for retrofitting (Spare part-nr. 48054000)*
- 21: Shower arm for shower systems (Spare part-nr. 14047000)*

* Optional accessories