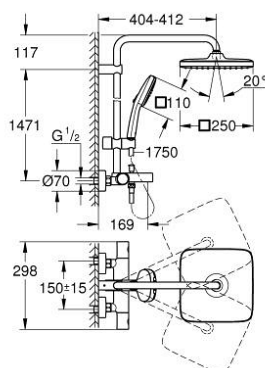
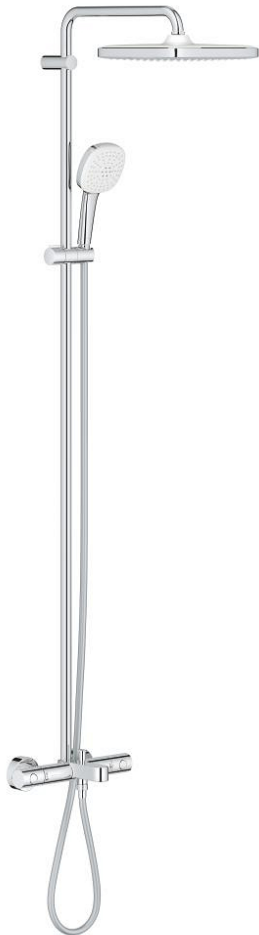


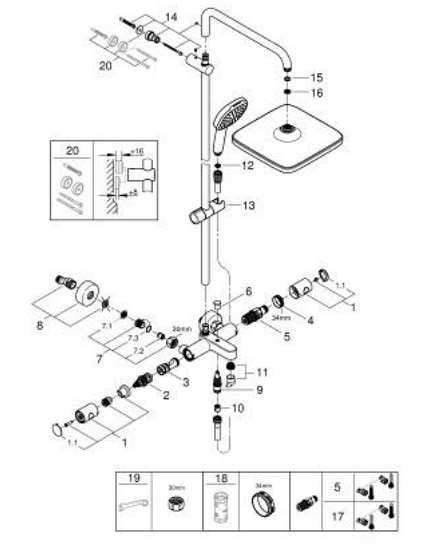
26 691 001 TEMPESTA SYSTEM 250 CUBE SHOWER SYSTEM WITH BATH THERMOSTAT FOR WALL MOUNTING



PRODUCT DESCRIPTION

- Colour: chrome
- consisting of:
 - horizontal swivable 390 mm shower arm
 - exposed thermostat with Aquadimmer function
 - allows change between:
 - head shower Tempesta 250 Cube (26 685)
 - spray pattern: Rain
 - maximum flow rate (at 3 bar): 7.3 l/min
 - head shower with white rear cover
 - with ball joint, rotation angle $\pm 10^\circ$
 - bath inlet
 - separate diverter for hand shower
 - hand shower Tempesta Cube 110 (27 571)
 - 2 spray patterns: Rain, Jet
 - maximum flow rate (at 3 bar): 5.6 l/min
 - adjustable in height with gliding element
 - Rotaflex TwistStop shower hose 1750 mm 1/2" x 1/2" (28 410)
 - maximum flow rate system (at 3 bar): 7.3 l/min (without bath inlet)
 - GROHE EcoJoy - Less water, perfect flow
 - GROHE TurboStat - compact cartridge with wax thermoelement
 - GROHE SafeStop safety button at 38°C
 - GROHE SafeStop Plus optional temperature limiter at 43°C included
 - GROHE SmartSwitch - easily rotate the dial to enjoy your preferred spray option
 - GROHE DreamSpray - perfect spray pattern
 - ShockProof silicone ring prevents damages caused by shower falling
 - GROHE LongLife finish
 - GROHE SpeedClean - effortless limescale removal
 - Inner WaterGuide - inner insulation for surface protection
 - TwistStop - to prevent hose from twisting
 - suitable for instantaneous heaters from 18 kW/h
 - minimum flow rate 5 l/min
 - professional edition

26 691 001 TEMPESTA SYSTEM 250 CUBE SHOWER SYSTEM WITH BATH THERMOSTAT FOR WALL MOUNTING



SPARE PARTS, november 2021 – now

- 1: Metal handle 1/2" (Spare part-nr. 47984000)
- 1.1: Cover cap (Spare part-nr. 6458500M)
- 2: Aquadimmer (Spare part-nr. 47364000)
- 3: Water flow (Spare part-nr. 47887000)
- 4: Fitting ring (Spare part-nr. 47743000)
- 5: Thermostatic compact cartridge 1/2" (Spare part-nr. 47439000)
- 6: Diverter knob (Spare part-nr. 65648000)
- 7: Non-return valve (Spare part-nr. 47189000)
- 7.1: Dirt strainer (Spare part-nr. 0726400M)
- 7.2: Non-return valve (Spare part-nr. 08565000)
- 7.3: O-ring \varnothing 17 x \varnothing 2 (Spare part-nr. 0305500M)
- 8: S-union (Spare part-nr. 12662000)
- 9: Diverter (Spare part-nr. 65655000)
- 10: Non-return valve (Spare part-nr. 08565000)
- 11: Mousseur (Spare part-nr. 13926000)
- 12: Dirt strainer (Spare part-nr. 0700200M)
- 13: Glide element (Spare part-nr. 48609000)
- 14: Shower rail holder (Spare part-nr. 48423000)
- 15: Fibre seal \varnothing 18,5 x \varnothing 12 x 2 (Spare part-nr. 0138900M)
- 16: Dirt strainer (Spare part-nr. 48007000)
- 17: GROHE TurboStat cartridge 1/2" (Spare part-nr. 47175000)*
- 18: Socket spanner (Spare part-nr. 19332000)*
- 19: Special spanner (Spare part-nr. 19377000)*
- 20: Compensation disc (Spare part-nr. 26496000)*

* Optional accessories