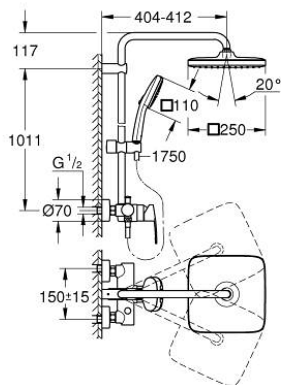


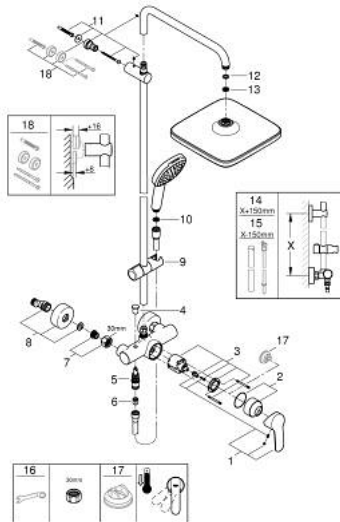
26 692 001 TEMPESTA SYSTEM 250 CUBE SHOWER SYSTEM WITH SINGLE LEVER MIXER FOR WALL MOUNTING



PRODUCT DESCRIPTION

- Colour: chrome
- consisting of:
 - horizontal swivable 390 mm shower arm (14 047)
 - exposed single-lever shower mixer with diverter
 - allows change between:
 - head shower Tempesta 250 Cube (26 685)
 - spray pattern: Rain
 - maximum flow rate (at 3 bar): 7.3 l/min
 - head shower with white rear cover
 - with ball joint, rotation angle $\pm 10^\circ$
 - hand shower Tempesta Cube 110 (27 571)
 - 2 spray patterns: Rain, Jet
 - maximum flow rate (at 3 bar): 5.6 l/min
 - adjustable in height with gliding element
 - Rotaflex TwistStop shower hose 1750 mm 1/2" x 1/2" (28 410)
 - maximum flow rate system (at 3 bar): 7.3 l/min
 - GROHE EcoJoy - Less water, perfect flow
 - GROHE SilkMove 46 mm ceramic cartridge
 - GROHE SmartSwitch - easily rotate the dial to enjoy your preferred spray option
 - GROHE DreamSpray - perfect spray pattern
 - ShockProof silicone ring prevents damages caused by shower falling
 - GROHE LongLife finish
 - GROHE SpeedClean - effortless limescale removal
 - Inner WaterGuide - inner insulation for surface protection
 - TwistStop - to prevent hose from twisting
 - suitable for instantaneous heaters from 18 kW/h
 - minimum flow rate 5 l/min
 - min. recommended pressure 1.0 bar
 - professional edition

26 692 001 TEMPESTA SYSTEM 250 CUBE SHOWER SYSTEM WITH SINGLE LEVER MIXER FOR WALL MOUNTING



SPARE PARTS, november 2021 – now

- 1: Lever (Spare part-nr. 46726000)
- 2: Cap (Spare part-nr. 46025000)
- 3: Cartridge (Spare part-nr. 46048000)
- 4: Diverter knob (Spare part-nr. 65648000)
- 5: Diverter (Spare part-nr. 65655000)
- 6: Non-return valve (Spare part-nr. 08565000)
- 7: Screw connection 1/2" (Spare part-nr. 45044000)
- 8: S-union (Spare part-nr. 12662000)
- 9: Glide element (Spare part-nr. 48609000)
- 10: Dirt strainer (Spare part-nr. 0700200M)
- 11: Shower rail holder (Spare part-nr. 48423000)
- 12: Fibre seal $\varnothing 18,5 \times \varnothing 12 \times 2$ (Spare part-nr. 0138900M)
- 13: Dirt strainer (Spare part-nr. 48007000)
- 14: Shower system pipe for retrofitting (Spare part-nr. 48514000)*
- 15: Shower system pipe for retrofitting (Spare part-nr. 48515000)*
- 16: Special spanner (Spare part-nr. 19377000)*
- 17: Temperature limiter (Spare part-nr. 46375000)*
- 18: Compensation disc (Spare part-nr. 26496000)*

* Optional accessories