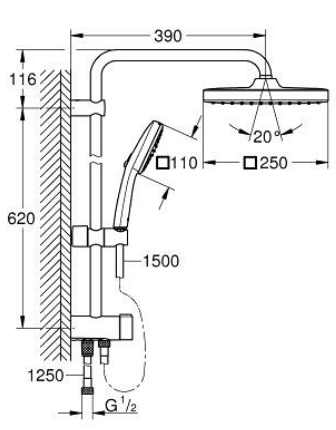


26 976 243 1 TEMPESTA SYSTEM 250 CUBE FLEX SHOWER SYSTEM WITH DIVERTER FOR WALL MOUNTING



PRODUCT DESCRIPTION

- Colour: Matte Black
- consisting of:
 - horizontal 390 mm shower arm, adjustable before installation
 - change by diverter between hand shower, head shower or head shower Eco setting
 - head shower Tempesta 250 Cube
 - 2 spray patterns (via diverter): Rain, SmartRain
 - maximum flow rate (at 3 bar): 7.5 l/min
 - head shower with black rear cover
 - with ball joint, rotation angle $\pm 10^\circ$
 - hand shower Tempesta Cube 110
 - 2 spray patterns: Rain, Jet
 - maximum flow rate (at 3 bar): 6.9 l/min
 - adjustable in height with gliding element
 - distance between diverter and upper bracket: 920 mm
 - shower hose Relexaflex 1500 mm 1/2" x 1/2"
 - shower hose Relexaflex 1250 mm 1/2" x 1/2"
 - flexible installation: connection to faucet / wall union for water supply with 1/2" thread of the 500 mm shower hose
 - GROHE EcoJoy - Less water, perfect flow
 - GROHE SmartSwitch - easily rotate the dial to enjoy your preferred spray option
 - GROHE DreamSpray - perfect spray pattern
 - ShockProof silicone ring prevents damages caused by shower falling
 - GROHE SpeedClean - effortless limescale removal
 - Inner WaterGuide - inner insulation for surface protection
 - suitable for instantaneous heaters from 18 kW/h
 - maximum flow rate (at 3 bar): 7.5 l/min
 - minimum flow rate 5 l/min
 - min. recommended pressure 1.0 bar
 - professional edition