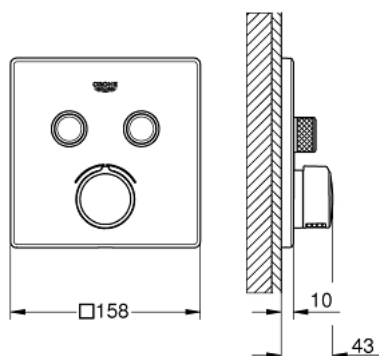


29 148 000 SMARTCONTROL CONCEALED MIXER WITH 2 VALVES

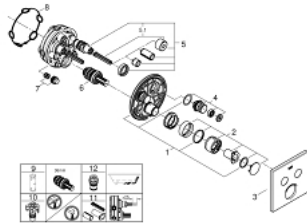


PRODUCT DESCRIPTION

- Colour: chrome
- trim set for GROHE Rapido SmartBox (35 600/35 604)
- metal wall escutcheon with GROHE FastFixation (covered escutcheon and shaft sealing, covered fixing), retroactively 6° adjustable
- GROHE LongLife finish
- GROHE SmartControl - control the shower with intuitive push/turn button
- exchangeable symbols
- cartridge for temperature mixing
- multiple outlets can be run simultaneously
- without roughing-in set 35 600/35 604 (please order separately)
- flow performance: outlet B = 23 l/min, outlet C = 25 l/min, outlet B + C = 27 l/min



29 148 000 SMARTCONTROL CONCEALED MIXER WITH 2 VALVES



SPARE PARTS, september 2016 – now

- 1: Mounting plate (Spare part-nr. 48363000)
 - 2: Handle (Spare part-nr. 46990000)
 - 3: Escutcheon (Spare part-nr. 46995000)
 - 4: Push button (Spare part-nr. 48361000)
 - 4.1: pushbutton (Spare part-nr. 14077000)
 - 5: Cartridge (Spare part-nr. 48359000)
 - 5.1: Spindle (Spare part-nr. 49088000)
 - 6: Cartridge (Spare part-nr. 46989000)
 - 7: Non-return valves (Spare part-nr. 47979000)
 - 8: Seal (Spare part-nr. 48360000)
 - 9: Socket spanner (Spare part-nr. 49059000)*
 - 10: Service stops (Spare part-nr. 1405300M)*
 - 11: Universal extension set single-lever mixers, 25 mm (Spare part-nr. 14048000)*
 - 12: Backflow protection combination (EN1717) (Spare part-nr. 14055000)*
- * Optional accessories