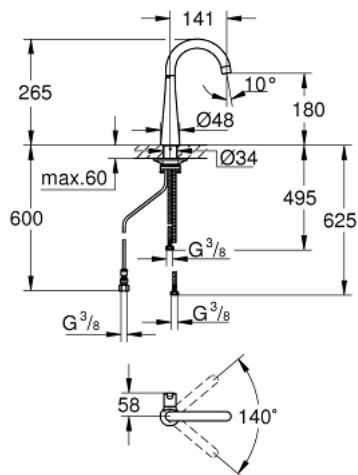


30 026 DC2 ZEDRA PILLAR TAP WITH FILTER FUNCTION



PRODUCT DESCRIPTION

- Colour: supersteel
- single hole installation
- handle for filtered table water
- ceramic headpart 1/2", 90°
- GROHE LongLife finish
- swivel tubular spout
- swivel area 140°
- flexible connection hoses
-
- Protected Water Ways no contact of water with lead or nickel inside the tap
- maximum flow rate (at 3 bar): 6 l/min
- requires GROHE filter set including filter head (40 438 001), sold separately



30 026 DC2 ZEDRA PILLAR TAP WITH FILTER FUNCTION

SPARE PARTS, julij 2017 – december 2021

- 1: Ceramic cartridge (Spare part-nr. 46318000)
 - 2: Mousseur (Spare part-nr. 48251DC0)
 - 3: Mounting set (Spare part-nr. 48477000)
 - 4: Support plate (Spare part-nr. 05334000)
 - 5: S-size filter starter set (Spare part-nr. 40438001)*
 - 6: Filter head (Spare part-nr. 64508001)*
 - 7: Filter S-Size (Spare part-nr. 40404001)*
- * Optional accessories

