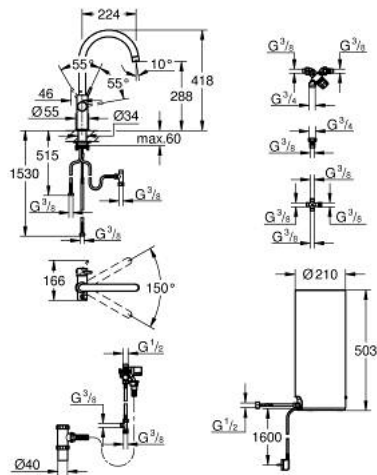


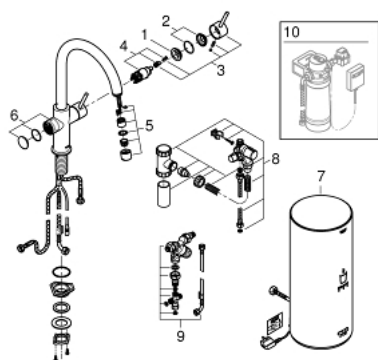
## 30 031 DC1 GROHE RED DUO FAUCET AND L SIZE BOILER



### PRODUCT DESCRIPTION

- Colour: supersteel
- consisting of:
  - GROHE Red Duo single-lever sink mixer
  - single hole installation
  - C-spout
  - GROHE ChildLock push buttons for boiling water
  - TÜV certified triple electronic safeguards against accidental activation of boiling water
  - GROHE LongLife finish
  - GROHE SilkMove 28 mm ceramic cartridge
- insulated tubular spout, swivel area 150°
- separate water ways
- flexible connection hoses
- connection to GROHE Red boiler
- GROHE Red boiler L size
- reservoir for boiling and hot water
- 5.5 liter 100° C boiling water
- 7 liter total capacity
- required inlet pressure: 1-7 bar
- with flexible connection hose and outlet for boiling water
- CE approved
- power supply 230 V 50 Hz
- max. power consumption 2100 W
- standby power consumption 15 W
- energy efficiency class A
- GROHE Red mixing valve
- for thermostatic mixing of mains and boiling water to generate warm water
- adjustable between 35°C and 75°C
- hot fill and cold fill installation possible
- including 70 cm connection hose, manifold and wall fixation

## 30 031 DC1 GROHE RED DUO FAUCET AND L SIZE BOILER



### SPARE PARTS, august 2013 – now

- 1: Fitting ring (Spare part-nr. 07419000)
- 2: Cap (Spare part-nr. 46581DC0)
- 3: Lever (Spare part-nr. 46957DC0)
- 4: Cartridge (Spare part-nr. 46580000)
- 5: Flow control (Spare part-nr. 48370DC0)
- 6: Operating unit (Spare part-nr. 46997DC0)
- 7: Boiler Size L (Spare part-nr. 40831001)
- 8: Safety group (Spare part-nr. 48372000)
- 9: Mixing valve (Spare part-nr. 40841001)
- 10: S-size filter starter set (Spare part-nr. 40438001)\*

\* Optional accessories