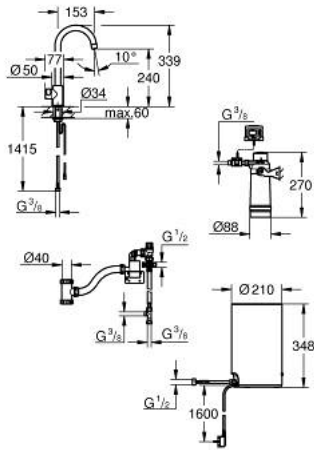


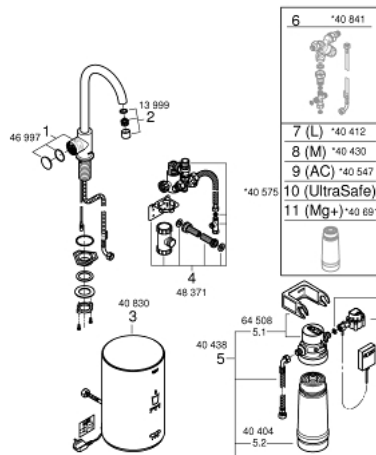
30 085 AL1 GROHE RED MONO PILLAR TAP AND M SIZE BOILER



PRODUCT DESCRIPTION

- Colour: brushed hard graphite
- consisting of:
 - GROHE Red Mono pillar tap
 - single hole installation
 - C-spout
 - GROHE ChildLock push buttons for boiling water
 - TÜV certified triple electronic safeguards against accidental activation of boiling water
 - GROHE LongLife finish
 - insulated tubular spout, swivel area 150°
 - connection to GROHE Red boiler
 - GROHE Red boiler M size
 - reservoir for boiling and hot water
 - 3 liter 100° C boiling water
 - 4 liter total capacity
 - required inlet pressure: 1-7 bar
 - with flexible connection hose and outlet for boiling water
 - CE approved
 - power supply 230 V 50 Hz
 - max. power consumption 2100 W
 - standby power consumption 15 W
 - energy efficiency class A
 - GROHE Blue S-Size filter starter set
 - for protection of the boiler from limescale
 - capacity 600 l at 20° dKH
 - flow rate measuring unit

30 085 AL1 GROHE RED MONO PILLAR TAP AND M SIZE BOILER



SPARE PARTS, marec 2018 – now

- 1: Operating unit (Spare part-nr. 46997AL0)
- 2: Mousseur (Spare part-nr. 13999AL0)
- 3: Boiler Size M (Spare part-nr. 40830001)
- 4: Safety group (Spare part-nr. 48371000)
- 5: S-size filter starter set (Spare part-nr. 40438001)
- 5.1: Filter head (Spare part-nr. 64508001)
- 5.2: Filter S-Size (Spare part-nr. 40404001)
- 6: Mixing valve (Spare part-nr. 40841001)*
- 7: Filter L-Size (Spare part-nr. 40412001)*
- 8: Filter M-Size (Spare part-nr. 40430001)*
- 9: Activated carbon filter (Spare part-nr. 40547001)*
- 10: UltraSafe filter (Spare part-nr. 40575001)*
- 11: Magnesium+ filter (Spare part-nr. 40691001)*

* Optional accessories