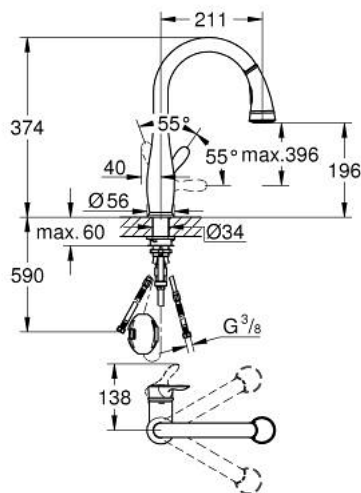


## 30 215 DC1 PARKFIELD SINGLE-LEVER SINK MIXER 1/2"

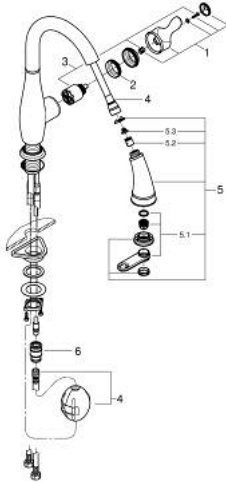


### PRODUCT DESCRIPTION

- Colour: supersteel
- single hole installation
- GROHE LongLife finish
- GROHE SilkMove 35 mm ceramic cartridge
- with integrated temperature limiter
- Pull-Out spray for greater flexibility
- Dual Spray - switch between mousseur and SpeedClean shower jet using diverter
- automatic return to mousseur
- adjustable flow rate limiter
- swivel tubular spout, swivel area 360°
- integrated non-return valve
- protected against backflow
- flexible connection hoses
- rapid installation system
- min. recommended pressure 1.0 bar
- QuickMount included



## 30 215 DC1 **PARKFIELD SINGLE-LEVER SINK MIXER 1/2"**



### **SPARE PARTS**, julij 2016 – september 2023

- 1: Lever (Spare part-nr. 46889DC0)
- 2: Screw coupling (Spare part-nr. 46460000)
- 3: Cartridge (Spare part-nr. 46374000)
- 4: Hose for sink mixer with pull-out dual spray or mousseur (Spare part-nr. 48293000)
- 5: Pull-Out spray (Spare part-nr. 46890ND0)
- 5.1: Mousseur (Spare part-nr. 46711000)
- 5.2: Non-return valve (Spare part-nr. 08565000)
- 5.3: Dirt strainer (Spare part-nr. 0676800M)
- 6: Quick coupling (Spare part-nr. 46338000)
- 6.1: O-ring  $\varnothing$  10 x 2.2 mm (Spare part-nr. 0057500M)