

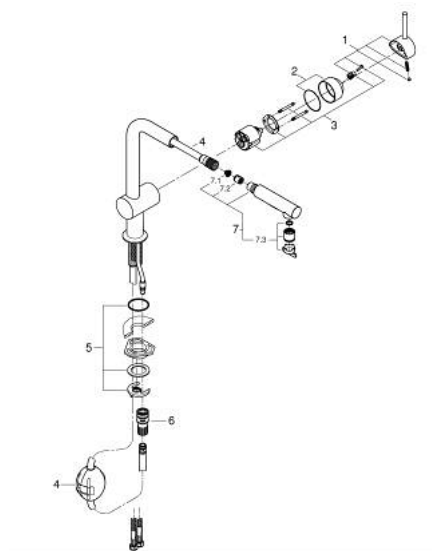
## 30 300 DC0 MINTA SINGLE-LEVER SINK MIXER 1/2"



### PRODUCT DESCRIPTION

- Colour: supersteel
- L-spout
- single hole installation
- GROHE LongLife finish
- GROHE SilkMove 46 mm ceramic cartridge
- Pull-Out spray for greater flexibility
- Easy Docking Function guarantees easy retraction and smooth docking back to the starting position
- flow straightener
- Dual Spray - switch between laminar spray and SpeedClean shower jet using diverter
- automatic return to laminar spray
- adjustable flow rate limiter
- swivel tubular spout, swivel area 360°
- integrated non-return valve
- protected against backflow
- flexible connection hoses
- rapid installation system
- min. recommended pressure 1.0 bar
- maximum flow rate (at 3 bar): 6 l/min
- CALGreen compliant
- 333 mm faucet height
- 297 mm aerator height
- 224 mm faucet reach

## 30 300 DC0 MINTA SINGLE-LEVER SINK MIXER 1/2"



### SPARE PARTS, junij 2024 – now

- 1: Lever (Spare part-nr. 46015DC0)
- 2: Cap (Spare part-nr. 46025DC0)
- 3: Cartridge (Spare part-nr. 46048000)
- 4: Hose for sink mixer with pull-out dual spray or mousseur (Spare part-nr. 48293000)
- 5: Shank mounting kit (Spare part-nr. 46345000)
- 6: Snap coupling (Spare part-nr. 48220000)
- 7: Pull-Out spray (Spare part-nr. 46926DC0)
- 7.1: Dirt strainer (Spare part-nr. 0676800M)
- 7.2: Non-return valve (Spare part-nr. 08565000)
- 7.3: Flow straightener (Spare part-nr. 48275000)