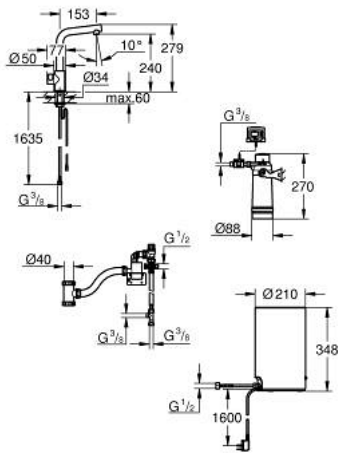


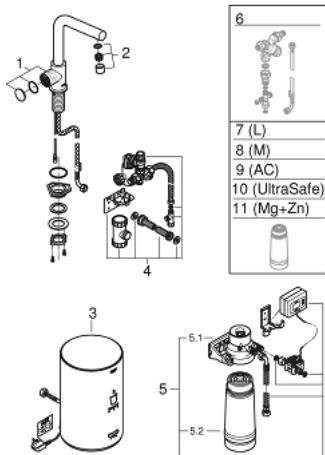
## 30 339 001 GROHE RED MONO PILLAR TAP AND M SIZE BOILER



### PRODUCT DESCRIPTION

- Colour: chrome
- consisting of:
  - GROHE Red Mono pillar tap
  - single hole installation
  - L-spout
  - GROHE ChildLock push buttons for boiling water
  - TÜV certified triple electronic safeguards against accidental activation of boiling water
  - GROHE LongLife finish
  - insulated tubular spout, swivel area 150°
  - connection to GROHE Red boiler
  - GROHE Red boiler M size
  - reservoir for boiling and hot water
  - 3 liter 100° C boiling water
  - 4 liter total capacity
  - required inlet pressure: 1-7 bar
  - with flexible connection hose and outlet for boiling water
  - CE approved
  - power supply 230 V 50 Hz
  - max. power consumption 2100 W
  - standby power consumption 15 W
  - energy efficiency class A
  - GROHE Blue S-Size filter starter set
  - for protection of the boiler from limescale
  - capacity 600 l at 20° dKH
  - flow rate measuring unit

## 30 339 001 GROHE RED MONO PILLAR TAP AND M SIZE BOILER



### SPARE PARTS, september 2016 – now

- 1: Operating unit (Spare part-nr. 46997000)
- 2: Mousseur (Spare part-nr. 13999000)
- 3: Boiler Size M (Spare part-nr. 40830001)
- 4: Safety group (Spare part-nr. 48371000)
- 5: S-size filter starter set (Spare part-nr. 40438001)
- 5.1: Filter head (Spare part-nr. 64508001)
- 5.2: Filter S-Size (Spare part-nr. 40404001)
- 6: Mixing valve (Spare part-nr. 40841001)\*
- 7: Filter L-Size (Spare part-nr. 40412001)\*
- 8: Filter M-Size (Spare part-nr. 40430001)\*
- 9: Activated carbon filter (Spare part-nr. 40547001)\*
- 10: UltraSafe filter (Spare part-nr. 40575001)\*
- 11: Magnesium+ filter (Spare part-nr. 40691001)\*

\* Optional accessories