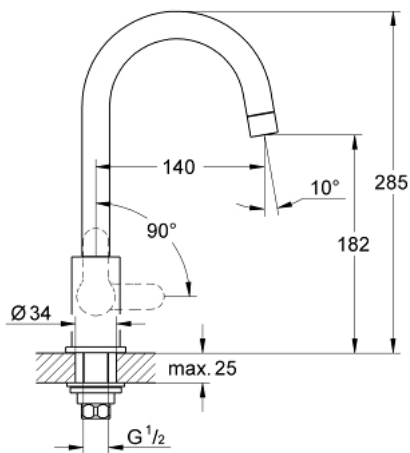


31 223 000 **BAUEDGE SINK TAP 1/2"**

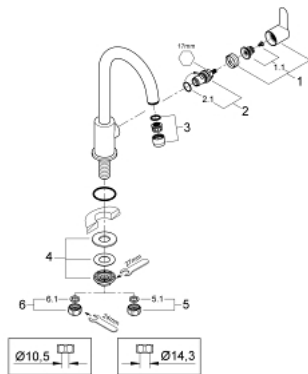


**PRODUCT DESCRIPTION**

- Colour: chrome
- single hole installation
- metal lever
- ceramic headpart 1/2", 90°
- swivel tubular spout
- mousseur
- GROHE LongLife finish
- fixation nut



## 31 223 000 BAUEDGE SINK TAP 1/2"



### SPARE PARTS, junij 2010 – now

1: Handle (Spare part-nr. 48142000)

1.1: Replacement handle connection kit (Spare part-nr. 45186000)

1.1.1: O-ring Ø 18.2 x Ø 1.7 (Spare part-nr. 0392400M)

2: Ceramic headpart 1/2" (Spare part-nr. 45882000)

2.1: O-ring Ø 18.2 x Ø 1.7 (Spare part-nr. 0392400M)

3: Mousseur (Spare part-nr. 13928000)

4: Shank mounting kit (Spare part-nr. 45004000)

5: Coupling nut 1/2" x 14.5 mm (Spare part-nr. 1290200M)

5.1: Fibre seal Ø 18,5 x Ø 12 x 2 (Spare part-nr. 0138900M)

6: Coupling nut 1/2" (Spare part-nr. 1290100M)

6.1: Fibre seal Ø 18,5 x Ø 12 x 2 (Spare part-nr. 0138900M)