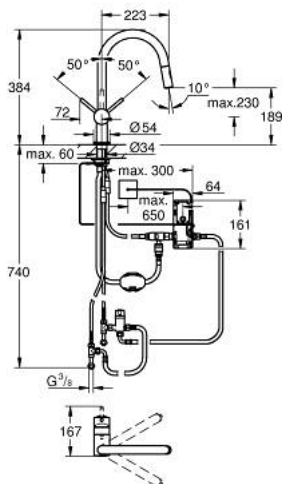


31 358 002 MINTA TOUCH ELECTRONIC SINGLE-LEVER SINK MIXER 1/2"

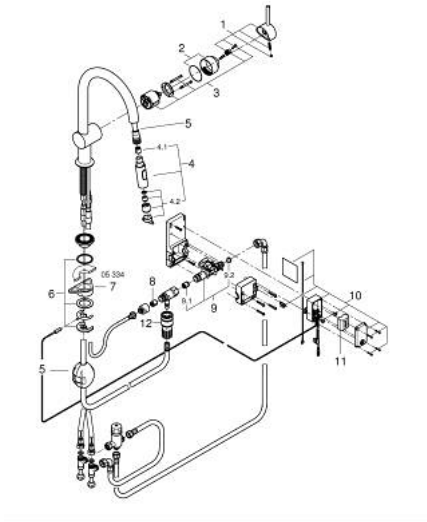


PRODUCT DESCRIPTION

- Colour: chrome
- C-spout
- single hole installation
- Touch: activation of water via skin contact
- battery supply 6 V lithium-battery, type CR-P2
- CE approved
- solenoid valve
- fixed value mixing valve
- automatic safety stop after 60 sec. (factory set)
- type of protection IP 44
- GROHE LongLife finish
- GROHE SilkMove 46 mm ceramic cartridge
- Pull-Out spout for greater flexibility
- Dual Spray - switch between laminar spray and SpeedClean shower jet using diverter
- swivel tubular spout, swivel area 360°
- protected against backflow
- flexible connection hoses
- rapid installation system
- maximum flow rate (at 3 bar): 9 l/min



31 358 002 MINTA TOUCH ELECTRONIC SINGLE-LEVER SINK MIXER 1/2"



SPARE PARTS, junij 2024 – now

- 1: Lever (Spare part-nr. 46015000)
- 2: Cap (Spare part-nr. 46025000)
- 3: Cartridge (Spare part-nr. 46048000)
- 4: Pull-Out spray (Spare part-nr. 48416000)
- 4.1: Non-return valve (Spare part-nr. 08565000)
- 4.2: Flow straightener (Spare part-nr. 48347000)
- 5: Hose for sink mixer with pull-out dual spray or mousseur (Spare part-nr. 48293000)
- 6: Shank mounting kit (Spare part-nr. 46345000)
- 7: Support plate (Spare part-nr. 05334000)
- 8: Non-return valve (Spare part-nr. 08565000)
- 9: Solenoid valve (Spare part-nr. 48213000)
- 9.1: Non-return valve (Spare part-nr. 08565000)
- 9.2: Dirt strainer (Spare part-nr. 42395000)
- 10: Control unit (Spare part-nr. 48214000)
- 11: Battery (Spare part-nr. 42886000)
- 12: Quick coupling (Spare part-nr. 46338000)