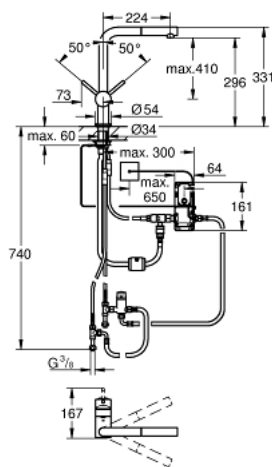


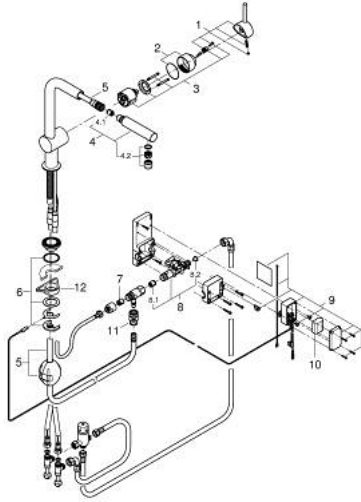
## 31 360 DC1 MINTA TOUCH ELECTRONIC SINGLE-LEVER SINK MIXER 1/2"



### PRODUCT DESCRIPTION

- Colour: supersteel
- L-spout
- Touch: activation of water via skin contact
- battery supply 6 V lithium-battery, type CR-P2
- CE approved
- solenoid valve
- fixed value mixing valve
- automatic safety stop after 60 sec. (factory set)
- type of protection IP 44
- GROHE SilkMove 46 mm ceramic cartridge
- Pull-Out spout for greater flexibility
- automatic return to mousseur
- adjustable flow rate limiter
- swivel tubular spout, swivel area 360°
- protected against backflow
- flexible connection hoses
- rapid installation system
- maximum flow rate (at 3 bar): 10 l/min

## 31 360 DC1 MINTA TOUCH ELECTRONIC SINGLE-LEVER SINK MIXER 1/2"



### SPARE PARTS, junij 2024 – now

- 1: Lever (Spare part-nr. 46015DC0)
- 2: Cap (Spare part-nr. 46025DC0)
- 3: Cartridge (Spare part-nr. 46048000)
- 4: Pull-Out spray (Spare part-nr. 46858DC0)
- 4.1: Non-return valve (Spare part-nr. 08565000)
- 4.2: Mousseur (Spare part-nr. 13967DC0)
- 5: Hose for sink mixer with pull-out dual spray or mousseur (Spare part-nr. 48293000)
- 6: Shank mounting kit (Spare part-nr. 46345000)
- 7: Non-return valve (Spare part-nr. 08565000)
- 8: Solenoid valve (Spare part-nr. 48213000)
- 8.1: Non-return valve (Spare part-nr. 08565000)
- 8.2: Dirt strainer (Spare part-nr. 42395000)
- 9: Control unit (Spare part-nr. 48214000)
- 10: Battery (Spare part-nr. 42886000)
- 11: Quick coupling (Spare part-nr. 46338000)
- 12: Support plate (Spare part-nr. 05334000)