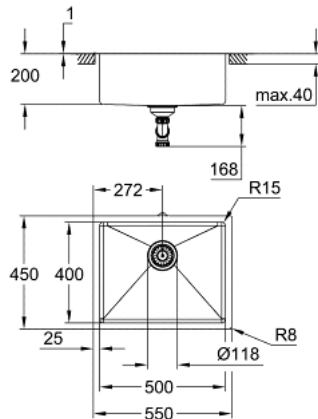


31 574 SD1 K700U STAINLESS STEEL SINK



PRODUCT DESCRIPTION

- Colour: stainless steel
- model: K700U 60-S 54.4/44.4 1.0
- mounting type: undermount, top mount or flush mount
- material: stainless steel AISI 304 (V2A)
- material thickness: 1 mm
- GROHE LongLife finish
- finish: satin finish
- GROHE Whisper
- min. cabinet size: 600 mm
- dimensions: 550 x 450 mm
- 1 bowl: 500 x 400 x 200 mm
- outer radius: R16 (undermount)/R3 (topmount), inner bowl radius: R15
- GROHE FastFixation rapid installation system
- cut-out (undermount): 502 x 402 mm (R16)
- cut-out (top mount): 535 x 435 mm
- cut-out (flush mount): 535 x 435 mm (R3) (top step outer size: -551 x 451 -R8 deep -3.5 mm)
- drainer: $\text{Ø} 3.5''/90$ mm basket strainer waste
- accessories included: waste kit, basket strainer waste, mounting set
- optional push to open excenter (40 986 SD0)
- amount of fasteners included (top mount): 8
- amount of fasteners included (undermount): 8

31 574 SD1 K700U STAINLESS STEEL SINK

SPARE PARTS, maj 2019 – now

1: Plug (Spare part-nr. 42589SD0)

2: Cover element (Spare part-nr. 42590SD0)

