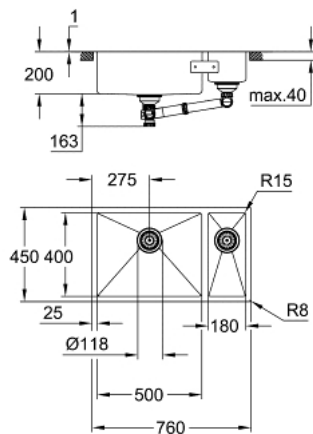


## 31 575 SD1 K700U STAINLESS STEEL SINK



### PRODUCT DESCRIPTION

- Colour: stainless steel
- model: K700U 80-S 76/45 1.5 lh
- mounting type: undermount, top mount or flush mount
- material: stainless steel AISI 304 (V2A)
- material thickness: 1 mm
- GROHE LongLife finish
- finish: satin finish
- GROHE Whisper
- min. cabinet size: 800 mm
- dimensions: 760 x 450 mm
- 1 bowl: 500 x 400 x 200 mm
- 0.5 bowl: 180 x 400 x 140 mm
- outer radius: R16 (undermount)/R3 (topmount), inner bowl radius: R15
- GROHE FastFixation rapid installation system
- sink mountable left
- cut-out (undermount): 712 x 402 mm (R16)
- cut-out (top mount): 745 x 435 mm (R3)
- cut-out (flush mount): 745 x 435 mm (R3) (top step outer size: -761 x 451 -R8 deep -3.5 mm)
- drainer: Ø 3.5"/90 mm basket strainer waste
- accessories included: waste kit, basket strainer waste, mounting set
- optional push to open excenter (40 986 SD0)
- amount of fasteners included (top mount): 10
- amount of fasteners included (undermount): 10

## 31 575 SD1 K700U STAINLESS STEEL SINK

**SPARE PARTS**, maj 2019 – now

1: Plug (Spare part-nr. 42589SD0)

2: Cover element (Spare part-nr. 42590SD0)

