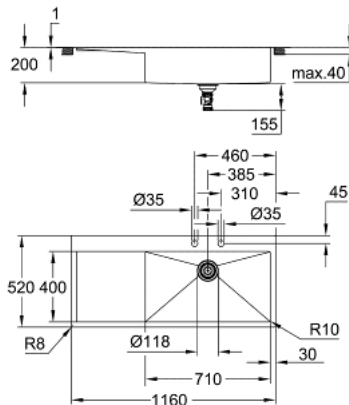


31 582 SD1 K1000 STAINLESS STEEL SINK WITH DRAINER



PRODUCT DESCRIPTION

- Colour: stainless steel
- model: K1000 80-S 116/52 1.0 rh
- mounting type: top mount or flush mount
- material: stainless steel AISI 304 (V2A)
- material thickness: 1.2 mm (± 0.1 mm)
- GROHE LongLife finish
- finish: satin finish
- GROHE Whisper
- min. cabinet size: 800 mm
- dimensions: 1160 x 520 mm
- 1 bowl: 710 x 400 mm
- outer radius: R3, inner bowl radius: R10
- GROHE FastFixation rapid installation system
- sink mountable right
- cut-out (top mount): 1145 x 505 mm (R3)
- cut-out (flush mount): 1145 x 505 mm (R3) (top step outer size: -1161 x 521 -R8 deep -3.5 mm)
- waste: Ø 3.5"/90 mm waste strainer with automatic waste fitting
- accessories included: automatic waste fitting with rotary handle, waste kit, basket strainer waste, mounting set
- optional push to open excenter (40 986 SD0)
- amount of fasteners included (top mount): 10

31 582 SD1 K1000 STAINLESS STEEL SINK WITH DRAINER

SPARE PARTS, maj 2019 – now

1: Plug (Spare part-nr. 42588SD0)

2: Turning handle (Spare part-nr. 42586SD0)

3: Cover element (Spare part-nr. 42590SD0)

