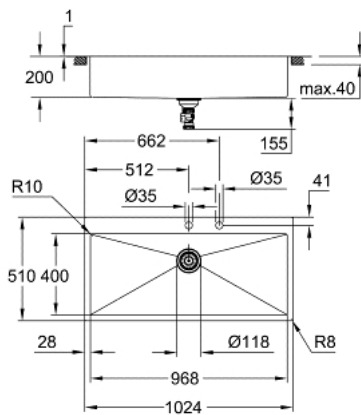


31 586 SD1 K800 STAINLESS STEEL SINK



PRODUCT DESCRIPTION

- Colour: stainless steel
- model: K800 120-S 102.4/51 1.0
- mounting type: top mount or flush mount
- material: stainless steel AISI 304 (V2A)
- material thickness: 1 mm
- GROHE LongLife finish
- finish: satin finish
- GROHE Whisper
- min. cabinet size: 1200 mm
- dimensions: 1024 x 510 mm
- 1 bowl: 968 x 400 x 200 mm
- outer radius: R3, inner bowl radius: R10
- GROHE FastFixation rapid installation system
- cut-out (top mount): 1009 x 495 mm (R3)
- cut-out (flush mount): 1009 x 495 mm (R3) (top step outer size: -1025 x 511 -R8 deep -3.5 mm)
- waste: Ø 3.5"/90 mm waste strainer with automatic waste fitting
- accessories included: automatic waste fitting with rotary handle, waste kit, basket strainer waste, mounting set
- optional push to open excenter (40 986 SD0)
- amount of fasteners included (top mount): 12

31 586 SD1 K800 STAINLESS STEEL SINK

SPARE PARTS, oktober 2019 – now

1: Plug (Spare part-nr. 42588SD0)

2: Turning handle (Spare part-nr. 42586SD0)

3: Cover element (Spare part-nr. 42590SD0)

