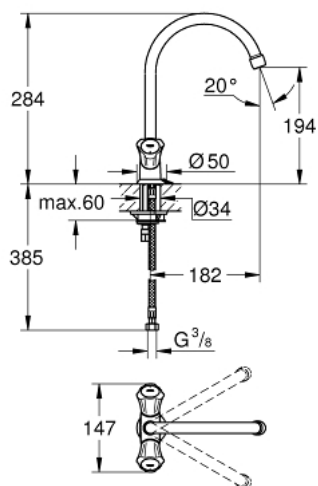


31 812 001 COSTA L SINGLE-HOLE SINK MIXER 1/2"

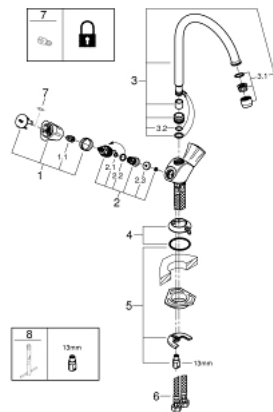


PRODUCT DESCRIPTION

- Colour: chrome
- metal handles
- heat insulated
- screwable
- GROHE LongLife finish
- GROHE Long-Life headparts
- mousseur
- swivel tubular spout, swivel area 360°
- chain ring
- flexible connection hoses
- maximum flow rate (at 3 bar): 13 l/min



31 812 001 COSTA L SINGLE-HOLE SINK MIXER 1/2"



SPARE PARTS, september 2016 – now

- 1: Handle (Spare part-nr. 45994000)
 - 1.1: Snap insert (Spare part-nr. 0538600M)
 - 2: Headpart 1/2" (Spare part-nr. 07146000)
 - 2.1: Sealing washer $\varnothing 6 \times \varnothing 2$ (Spare part-nr. 0128300M)
 - 2.2: O-ring $\varnothing 18.2 \times \varnothing 1.7$ (Spare part-nr. 0392400M)
 - 2.3: Seal (Spare part-nr. 0529100M)
 - 3: Spout (Spare part-nr. 13213000)
 - 3.1: Mousseur (Spare part-nr. 13928000)
 - 3.2: O-ring $\varnothing 12 \times \varnothing 2$ (Spare part-nr. 0128000M)
 - 4: Escutcheon (Spare part-nr. 48005000)
 - 5: Shank mounting kit (Spare part-nr. 46249000)
 - 6: Connection hose (Spare part-nr. 46255000)
 - 7: Screw for Costa/Avina products (Spare part-nr. 48013000)*
 - 8: Mounting wrench (Spare part-nr. 19017000)*
- * Optional accessories