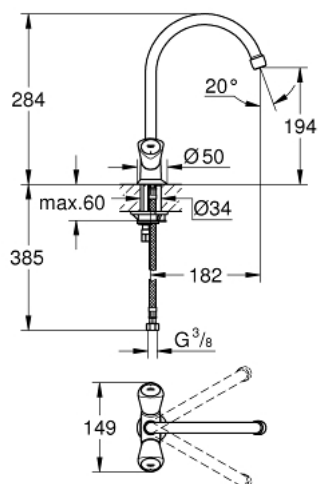


31 819 001 COSTA S SINGLE-HOLE SINK MIXER 1/2"

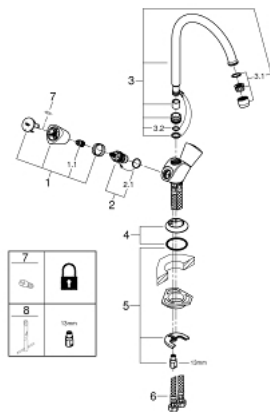


PRODUCT DESCRIPTION

- Colour: chrome
- metal handles
- heat insulated
- screwable
- GROHE LongLife finish
- Carbodur headparts
- mousseur
- swivel tubular spout, swivel area 360°
- flexible connection hoses
- maximum flow rate (at 3 bar): 13 l/min



31 819 001 COSTA S SINGLE-HOLE SINK MIXER 1/2"



SPARE PARTS, september 2016 – now

- 1: Handle (Spare part-nr. 45995000)
- 1.1: Snap insert (Spare part-nr. 0538600M)
- 2: Ceramic headpart 1/2" (Spare part-nr. 45346000)
- 2.1: O-ring Ø 18.2 x Ø 1.7 (Spare part-nr. 0392400M)
- 3: Spout (Spare part-nr. 13213000)
- 3.1: Mousseur (Spare part-nr. 13928000)
- 3.2: O-ring Ø 12 x Ø 2 (Spare part-nr. 0128000M)
- 4: Escutcheon (Spare part-nr. 45996000)
- 5: Shank mounting kit (Spare part-nr. 46249000)
- 6: Connection hose (Spare part-nr. 46255000)
- 7: Screw for Costa/Avina products (Spare part-nr. 48013000)*
- 8: Mounting wrench (Spare part-nr. 19017000)*

* Optional accessories