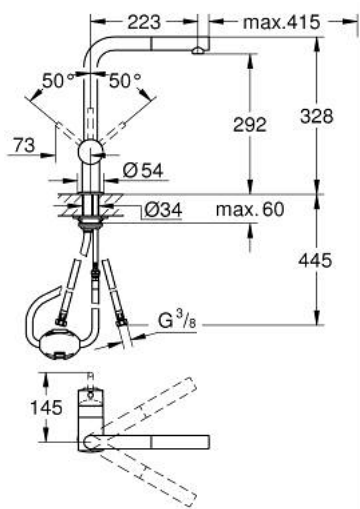


32 168 DC0 MINTA SINGLE-LEVER SINK MIXER 1/2"



PRODUCT DESCRIPTION

- Colour: supersteel
- L-spout
- single hole installation
- GROHE LongLife finish
- GROHE SilkMove 46 mm ceramic cartridge
- Pull-Out spout for greater flexibility
- adjustable flow rate limiter
- swivel tubular spout, swivel area 360°
- integrated non-return valves
- protected against backflow
- flexible connection hoses
- rapid installation system
- maximum flow rate (at 3 bar): 10 l/min



32 168 DC0 MINTA SINGLE-LEVER SINK MIXER 1/2"



SPARE PARTS, april 2024 – now

- 1: Lever (Spare part-nr. 46015DC0)
 - 2: Cap (Spare part-nr. 46025DC0)
 - 3: Cartridge (Spare part-nr. 46048000)
 - 4: Pull-Out spray (Spare part-nr. 46858DC0)
 - 4.1: Non-return valve (Spare part-nr. 08565000)
 - 4.2: Mousseur (Spare part-nr. 13967DC0)
 - 5: Shank mounting kit (Spare part-nr. 46345000)
 - 6: Hose for sink mixer with pull-out dual spray or mousseur (Spare part-nr. 48293000)
 - 7: Support plate (Spare part-nr. 05334000)
 - 8: Temperature limiter (Spare part-nr. 46375000)*
- * Optional accessories