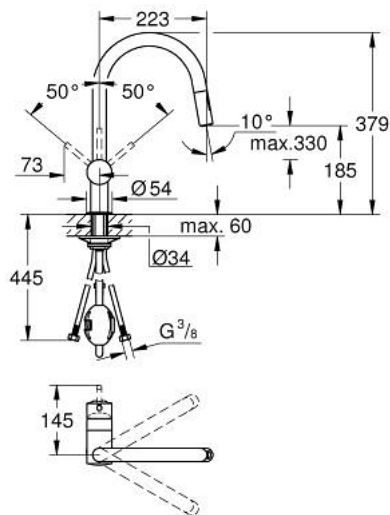


32 321 DC2 MINTA SINGLE-LEVER SINK MIXER 1/2"

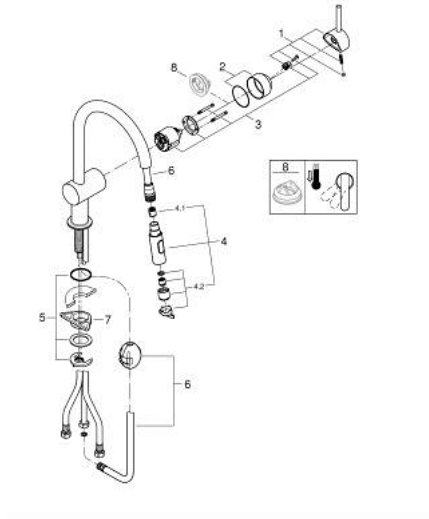


PRODUCT DESCRIPTION

- Colour: supersteel
- C-spout
- single hole installation
- GROHE LongLife finish
- GROHE SilkMove 46 mm ceramic cartridge
- Easy Docking Function guarantees easy retraction and smooth docking back to the starting position
- Pull-Out spout for greater flexibility
- Dual Spray - switch between laminar spray and SpeedClean shower jet using diverter
- adjustable flow rate limiter
- swivel tubular spout, swivel area 360°
- integrated non-return valve
- protected against backflow
- flexible connection hoses
- rapid installation system
- maximum flow rate (at 3 bar): 9 l/min



32 321 DC2 MINTA SINGLE-LEVER SINK MIXER 1/2"



SPARE PARTS, junij 2024 – now

- 1: Lever (Spare part-nr. 46015DC0)
- 2: Cap (Spare part-nr. 46025DC0)
- 3: Cartridge (Spare part-nr. 46048000)
- 4: Pull-Out spray (Spare part-nr. 48416DC0)
- 4.1: Non-return valve (Spare part-nr. 08565000)
- 4.2: Flow straightener (Spare part-nr. 48347000)
- 5: Shank mounting kit (Spare part-nr. 46345000)
- 6: Hose for sink mixer with pull-out dual spray or mousseur (Spare part-nr. 48293000)
- 7: Support plate (Spare part-nr. 05334000)
- 8: Temperature limiter (Spare part-nr. 46375000)