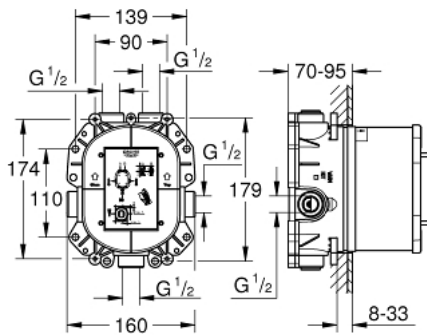


35 500 000 GROHE RAPIDO T THERMOSTATIC MIXER FOR CONCEALED INSTALLATION

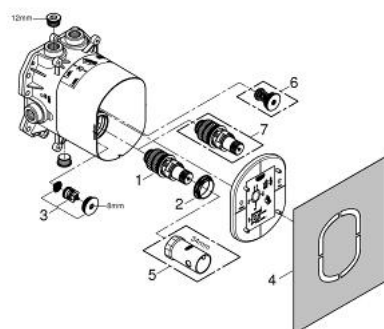


PRODUCT DESCRIPTION

- without finishing trim set
- flat installation depth 70 - 95 mm
- easy to install, premounted and tested unit
- GROHE TurboStat - compact cartridge with wax thermoelement
- two top outlets 1/2", lockable
- high flow rate up to 50 l/min by use of three outlets
- bottom outlet 1/2" can be used only with separate stop valve
- safe to install, stable built-in-box and protective cap
- fixation options for solid walls and dry cladding
- material for wall sealing included
- Aquadimmer-diverter for bath mixer or stop valve for shower mixer in finishing trim set
- body made of DR brass
- built-in non return valves and dirt strainers
- GROHE EcoJoy - Less water, perfect flow
- min. recommended pressure 1.0 bar



35 500 000 GROHE RAPIDO T THERMOSTATIC MIXER FOR CONCEALED INSTALLATION



SPARE PARTS, november 2005 – now

- 1: Thermostatic compact cartridge 3/4" (Spare part-nr. 47483000)
- 2: Fitting ring (Spare part-nr. 47765000)
- 3: Non-return valve (Spare part-nr. 47753000)
- 4: Seal kit (Spare part-nr. 48263000)
- 5: Socket spanner (Spare part-nr. 19332000)*
- 6: Safety combination (EN 1717) (Spare part-nr. 29007000)*
- 7: Thermostatic compact cartridge 3/4" for reverse waterways (Spare part-nr. 47186000)*

* Optional accessories