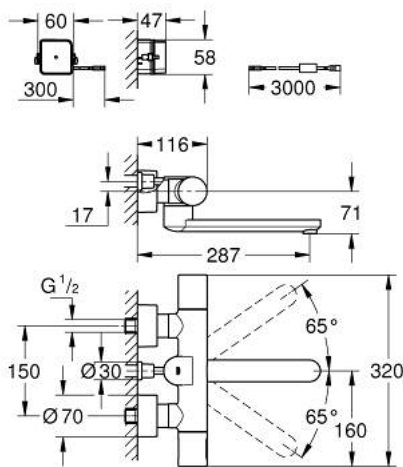


## 36 414 000 EUROSMART COSMOPOLITAN E BLUETOOTH INFRA-RED ELECTRONIC THERMOSTATIC BASIN MIXER, WALL MOUNTED



### PRODUCT DESCRIPTION (1/2)

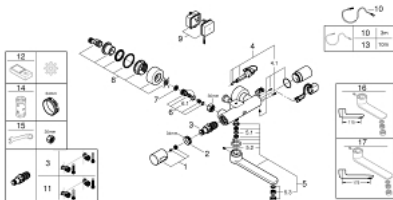
- Colour: chrome
- with infrared sensor and Bluetooth module for bi-directional communication for monitoring, configuration and service purpose
- with transformer 100-240 V AC, 50-60 Hz, 6.75 V DC
- GROHE LongLife finish
- GROHE CoolTouch
- GROHE SafeStop safety button at 38°C
- swivel cast spout 219 mm
- with swivel stop at 130° or fixed
- projection 287 mm
- laminar mousseur 9 l/min
- S-unions
- escutcheon covers for S unions
- non return valve
- dirt strainers
- power connection cable 3.0 m
- for use with connection set
- 39 383 000
- with Bluetooth 4.0\* for wireless data communication
- for Apple\*\* and Android devices
- Bluetooth range (max. 10 m) varies depending on used materials and walls between transmitter and receiver
- monitoring
- password protected products
- app detects all Bluetooth products in range
- auto flush cycles and timing last auto flush
- usage per day / 30 days
- thermal disinfection cycles and timings last disinfection
- configuration
- detection range and shut off delay
- auto flush
- thermal disinfection
- cleaning mode

## 36 414 000 EUROSMART COSMOPOLITAN E BLUETOOTH INFRA-RED ELECTRONIC THERMOSTATIC BASIN MIXER, WALL MOUNTED

### PRODUCT DESCRIPTION (2/2)

- 2 on/off timers
- identification by name
- service
- send and save 3 profiles
- reset functions
- hard and software version
- CE approved
- noise classification I in accordance with DIN 4109
- type of protection faucet IP 59K
- Mobile devices and GROHE IR Remote App\*\*\* are not included in delivery and have to be ordered separately via an authorised Apple store/store/iTunes or Google Play store.
- \* The Bluetooth word mark and logos are registered trademarks owned by Bluetooth SIG, Inc. and any use of such marks by Grohe AG is under license. Other trademarks and trade names are those of their respective owners.
- \*\* Apple, the Apple logo, iPod, iPod Touch, iPhone and iTunes are trademarks of Apple Inc., registered in the U.S. and other countries. Apple is not responsible for the function of this device or its compliance with safety and regulatory standards.
- \*\*\* Available for free via iTunes app or Google Play store.

## 36 414 000 EUROSMART COSMOPOLITAN E BLUETOOTH INFRA-RED ELECTRONIC THERMOSTATIC BASIN MIXER, WALL MOUNTED



### SPARE PARTS, november 2019 – now

- 1: Temperature scale handle (Spare part-nr. 47811000)
  - 2: Fitting ring (Spare part-nr. 47743000)
  - 3: Thermostatic compact cartridge 1/2" (Spare part-nr. 47439000)
  - 4: Solenoid valve (Spare part-nr. 42471000)
  - 4.1: Set of screws (Spare part-nr. 42422000)
  - 5: Spout (Spare part-nr. 42423000)
  - 5.1: Sealing washer (Spare part-nr. 0128500M)
  - 5.2: Set of screws (Spare part-nr. 46670000)
  - 5.3: Laminar flow straightener (Spare part-nr. 13960000)
  - 6: Non-return valve (Spare part-nr. 48277000)
  - 6.1: O-ring  $\varnothing 17 \times \varnothing 2$  (Spare part-nr. 0305500M)
  - 7: Dirt strainer (Spare part-nr. 0726400M)
  - 8: S-union (Spare part-nr. 12693000)
  - 9: Switching power supply (Spare part-nr. 42470000)
  - 10: Extension cable (Spare part-nr. 36221000)
  - 11: GROHE TurboStat cartridge 1/2" (Spare part-nr. 47175000)\*
  - 12: Remote control (Spare part-nr. 36407001)\*
  - 13: Extension cable (Spare part-nr. 36222000)\*
  - 14: Socket spanner (Spare part-nr. 19332000)\*
  - 15: Special spanner (Spare part-nr. 19377000)\*
  - 16: Cast swivel spout (Spare part-nr. 13378000)\*
  - 17: Cast swivel spout (Spare part-nr. 13380000)\*
- \* Optional accessories