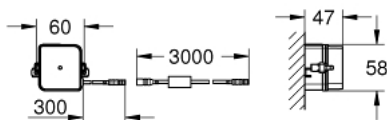
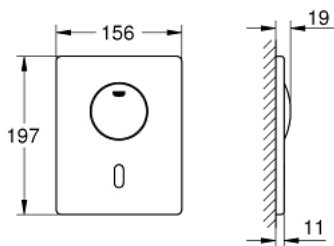


## 37 504 000 TECTRON SKATE BLUETOOTH INFRA-RED ELECTRONIC FOR WC



### PRODUCT DESCRIPTION (1/2)

- Colour: chrome
- for flushing cistern GD 2
- with transformer 100-240 V AC, 50-60 Hz, 6.75 V DC
- with infrared sensor and Bluetooth module for bi-directional communication for monitoring, configuration and service purpose
- with additional manual actuation
- GROHE LongLife finish
- front plate 156 x 197 mm
- servo motor
- for use with Rapid SLX please order shaft 66 791 000 (sold separately)
- with Bluetooth 4.0\* for wireless data communication
- for Apple\*\* and Android devices
- Bluetooth range (max. 10 m) varies depending on used materials and walls between transmitter and receiver
- monitoring
- password protected products
- app detects all Bluetooth products in range
- auto flush cycles and timing last auto flush
- usage per day / 30 days
- configuration
- detection range and shut off delay
- auto flush
- cleaning mode
- 2 on/off timers
- identification by name
- service
- send and save 3 profiles
- reset functions
- hard and software version
- CE approved
- Mobile devices and GROHE IR Remote App\*\*\* are not included in delivery and have to be ordered separately via an authorised Apple store/store/iTunes or Google Play store.

Pure Freude  
an Wasser

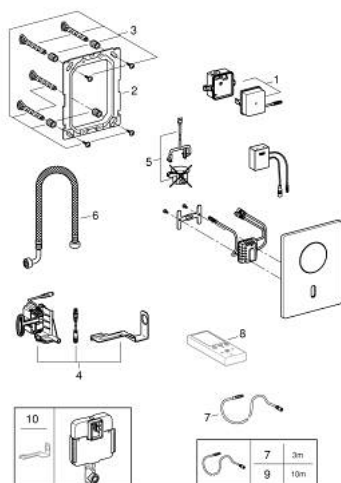


## 37 504 000 TECTRON SKATE BLUETOOTH INFRA-RED ELECTRONIC FOR WC

### PRODUCT DESCRIPTION (2/2)

- \* The Bluetooth word mark and logos are registered trademarks owned by Bluetooth SIG, Inc. and any use of such marks by Grohe AG is under license. Other trademarks and trade names are those of their respective owners.
- \*\* Apple, the Apple logo, iPod, iPod Touch, iPhone and iTunes are trademarks of Apple Inc., registered in the U.S. and other countries. Apple is not responsible for the function of this device or its compliance with safety and regulatory standards.
- \*\*\* Available for free via iTunes app or Google Play store.

## 37 504 000 TECTRON SKATE BLUETOOTH INFRA-RED ELECTRONIC FOR WC



### SPARE PARTS, maj 2023 – now

- 1: Switching power supply (Spare part-nr. 42470000)
- 2: Mounting frame (Spare part-nr. 42736000)
- 3: Fixing set (Spare part-nr. 4215800M)
- 4: Servo motor (Spare part-nr. 42612000)
- 5: Pop-up rod for servo motor (Spare part-nr. 43306000)
- 6: Hose (Spare part-nr. 43307000)
- 7: Extension cable (Spare part-nr. 36221000)
- 8: Remote control (Spare part-nr. 36407001)\*
- 9: Extension cable (Spare part-nr. 36222000)\*
- 10: Motor support device (Spare part-nr. 43617000)\*

\* Optional accessories