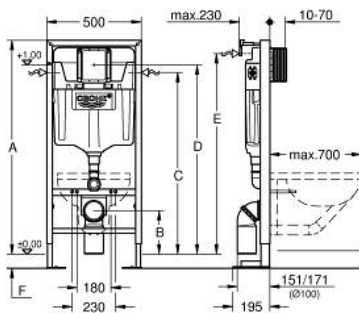


## 38 340 001 RAPID SL ELEMENT FOR WC, 1.13 M INSTALLATION HEIGHT



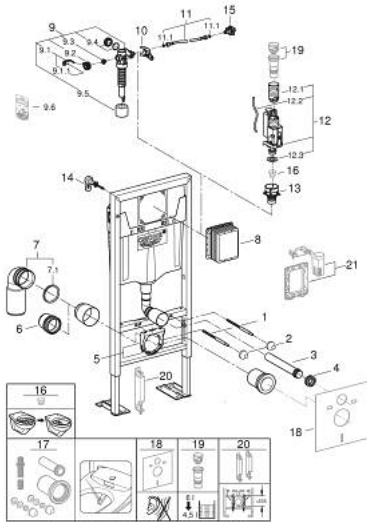
### PRODUCT DESCRIPTION

- with flushing cistern GD 2, 6 - 9 l
- for free-standing installation, for on-the-wall installations or studded walls
- powder coated steel frame, self-supporting
- for dry-cladding, completely pre-assembled
- suitable for installation of 70 cm toilets
- with fixed connections
- lockable
- fixing material
- 2 WC fixing bolts
- fixing device for ceramic
- distance of fixing bolts 180/230 mm
- 90° rotatable PVC outlet bend 100 mm
- spacer Ø 80 mm
- inlet and outlet connecting set
- flushing cistern GD 2, 6 - 9 l, containing following features:
  - adjustment ex factory 6 l and 3 l
  - pneumatic discharge valve offering 3 modes of operation: dual flush or start/stop or single flush
  - water supply from left/right or back
  - low noise (group I acc. to German Noise Specification)
  - insulated against condensation
- 1/2" water supply connection including integrated angle valve and push fit flexible hose union
- no tools required for the installation of the inspection shaft including protection during construction phase
- for vertical or horizontal use
- including wall brackets 38 558 00M for on-the-wall installation
- for mounting of small flush plates please order revision shaft 40 911 000 (sold separately)
- for easy flow regulation via inspection shaft without removing the valves please order flow manager 42 593 000 (sold separately)



| A | 1130  | 1180  |
|---|-------|-------|
| B | 230   | 280   |
| C | 960   | 1010  |
| D | 1000  | 1050  |
| E | 1060  | 1110  |
| F | 0-200 | 0-150 |

## 38 340 001 RAPID SL ELEMENT FOR WC, 1.13 M INSTALLATION HEIGHT



### SPARE PARTS, november 2021 – now

- 1: Threaded bolt (Spare part-nr. 4276400M)
- 2: Basin fastening (Spare part-nr. 43511SH0)
- 3: Wall union (Spare part-nr. 43352000)
- 4: Connector (Spare part-nr. 37119000)
- 5: Support for outlet bend (Spare part-nr. 42243000)
- 6: Distance pipe 3" (Spare part-nr. 42766000)
- 7: PVC waste bend (Spare part-nr. 42216000)
- 7.1: Sealing washer (Spare part-nr. 4207700M)
- 8: Inspection shaft (Spare part-nr. 66791000)
- 9: Filling valve (Spare part-nr. 37095000)
- 9.1: Lever (Spare part-nr. 43734000)
- 9.1.1: Seal (Spare part-nr. 4377000M)
- 9.2: Valve head (Spare part-nr. 43536000)
- 9.3: Membrane (Spare part-nr. 4375800M)
- 9.4: Screw cap (Spare part-nr. 43735000)
- 9.5: Valve float, 5 pcs. (Spare part-nr. 4379100M)
- 9.6: Set of seals (Spare part-nr. 43722000)\*
- 10: Support device (Spare part-nr. 42246000)
- 11: Connecting hose (Spare part-nr. 42233000)
- 11.1: Sealing washer (Spare part-nr. 0319100M)
- 12: Dual Flush discharge valve AV1 (Spare part-nr. 42320000)
- 12.1: Extension for overflow pipe (Spare part-nr. 42313000)
- 12.2: Pneumatic hose (Spare part-nr. 42319000)
- 12.3: Seal (Spare part-nr. 42310000)
- 13: Valve seat (Spare part-nr. 42599000)
- 14: Wall brackets (Spare part-nr. 3855800M)
- 15: Water connection (Spare part-nr. 48561000)
- 16: Flow restrictor (Spare part-nr. 42300000)\*
- 17: Retrofit kit for shower toilets Sensia Arena and Sensia Pro (Spare part-nr. 40899000)\*
- 18: Set for noise protection (Spare part-nr. 37131000)\*
- 19: 4.5 l adapter for GD2 (Spare part-nr. 42333000)\*
- 20: Accessory (Spare part-nr. 38779000)\*
- 21: Retrofit set (Spare part-nr. 38796000)\*

\* Optional accessories