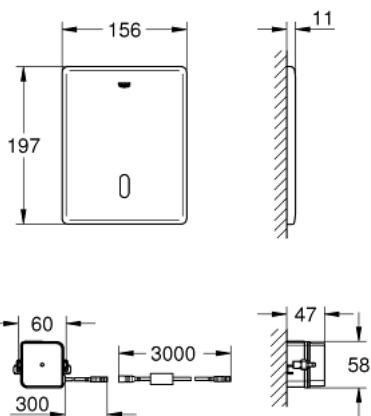


38 393 SD1 TECTRON SKATE INFRA-RED ELECTRONIC FOR WC FLUSH VALVE



PRODUCT DESCRIPTION

- Colour: stainless steel
- with transformer 100-230 V AC, 50-60 Hz, 6 V DC
- concealed installation
- front plate 156 x 197 mm
- infra-red control
- solenoid valve
- 7 pre-set programs:
- CE approved
- for use with concealed WC flush valve 37 048 000 and 38 519 001



38 393 SD1 TECTRON SKATE INFRA-RED ELECTRONIC FOR WC FLUSH VALVE

SPARE PARTS, marec 2016 – now

- 1: Top plate (Spare part-nr. 42449SD0)
 - 2: Electronic (Spare part-nr. 42455000)
 - 3: Switching power supply (Spare part-nr. 42470000)
 - 4: Mounting frame (Spare part-nr. 42736000)
 - 5: Fixing set (Spare part-nr. 4308500M)
 - 6: Solenoid valve (Spare part-nr. 42469000)
 - 7: Extension cable (Spare part-nr. 36221000)
 - 8: Remote control (Spare part-nr. 36407001)*
 - 9: Extension cable (Spare part-nr. 36222000)*
- * Optional accessories

