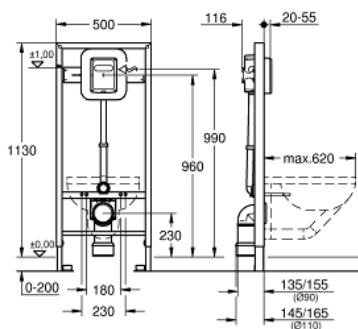


38 519 001 RAPID SL ELEMENT FOR WC WITH FLUSH VALVE, 1.13 M INSTALLATION HEIGHT

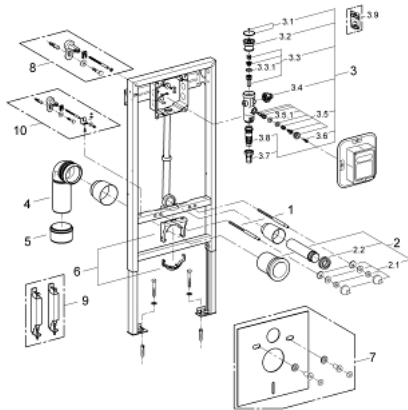


PRODUCT DESCRIPTION

- Colour: chrome
- with flush valve 6 - 9 l
- for manual / electronic actuation
- for on-the-wall installations or studded walls
- steel frame with foil coating/hot galvanized, self-supporting
- for dry-cladding, completely pre-assembled
- quick adjustment, lockable
- fixing material
- TÜV approved
- 2 WC fixing bolts
- distance of fixing bolts 180/230 mm
- WC ceramics with small bearing area (less than 205 mm) require additional accessory 38 779 000
- PP outlet bend Ø 90 mm
- depth adjustable
- PP reducer Ø 90/110 mm
- inlet and outlet connecting set
- manual/electronic actuation
- adjustable
- low noise (group I acc. to German Noise Specification)
- 3/4"
- stop valve
- 6 - 9 l adjustable
- flush bend
- flow rate adjustment
- for on-the-wall installation please order wall brackets 38 558 00M (sold separately)



38 519 001 RAPID SL ELEMENT FOR WC WITH FLUSH VALVE, 1.13 M INSTALLATION HEIGHT



SPARE PARTS, september 2012 – now

- 1: Threaded bolt (Spare part-nr. 4276400M)
 - 2: WC inlet and outlet connecting set (Spare part-nr. 37311K00)
 - 2.1: Basin fastening (Spare part-nr. 43511SH0)
 - 2.2: Connector (Spare part-nr. 37119000)
 - 3: Flush valve for WC (Spare part-nr. 37153000)
 - 3.1: Hand wheel (Spare part-nr. 43043000)
 - 3.2: Cover (Spare part-nr. 43122000)
 - 3.3: Piston (Spare part-nr. 43451000)
 - 3.3.1: Sleeve (Spare part-nr. 4376900M)
 - 3.4: Supply stop (Spare part-nr. 43405000)
 - 3.5: Safety valve (Spare part-nr. 43422000)
 - 3.5.1: Membrane (Spare part-nr. 4377300M)
 - 3.6: Operating rod (Spare part-nr. 43067000)
 - 3.7: Discharge sleeve (Spare part-nr. 43326000)
 - 3.8: Throttle nozzle (Spare part-nr. 43407000)
 - 3.9: Set of seals (Spare part-nr. 43012000)*
 - 4: PP-outlet bend Ø 90 mm (Spare part-nr. 42327000)
 - 5: Reducer (Spare part-nr. 42242000)
 - 6: Support for outlet bend (Spare part-nr. 42243000)
 - 7: Set for noise protection (Spare part-nr. 37131000)*
 - 8: Wall brackets (Spare part-nr. 3855800M)*
 - 9: Accessory (Spare part-nr. 38779000)*
 - 10: Xtra wall brackets, flexible placing (Spare part-nr. 38733000)*
- * Optional accessories