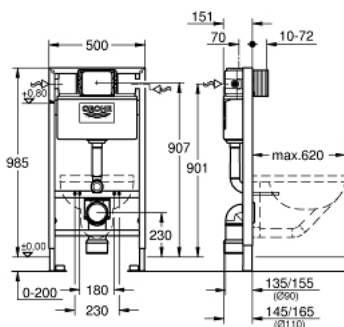


## 38 525 001 RAPID SL ELEMENT FOR WC, 1.00 M INSTALLATION HEIGHT

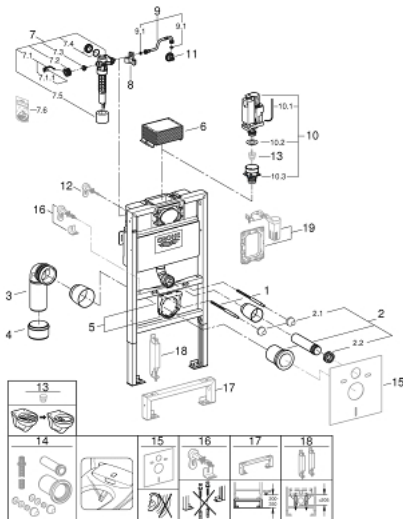


### PRODUCT DESCRIPTION

- with flushing cistern 6 - 9 l
- for on-the-wall installations or studded walls
- powder coated steel frame, self-supporting
- for dry-cladding, completely pre-assembled
- with fixed connections
- quick adjustment, lockable
- fixing material
- TÜV approved
- 2 WC fixing bolts
- fixing device for ceramic
- WC ceramics with small bearing area (less than 205 mm) require additional accessory 38 779 000
- distance of fixing bolts 180/230 mm
- outlet bend  $\varnothing$  90 mm
- depth adjustable
- reducer  $\varnothing$  90/110 mm
- inlet and outlet connecting set
- flushing cistern 6 - 9 l containing the following features:
  - pneumatic discharge valve offering 3 modes of operation: dual flush or start/stop or single flush
  - front or top actuation
  - water supply from left/right or back
  - low noise (group I acc. to German Noise Specification)
  - insulated against condensation
  - 1/2" water supply connection including integrated angle valve and push fit flexible hose union
  - shortable inspection shaft including protection during construction phase
  - for on-the-wall installation please order wall brackets 38 558 00M (sold separately)
  - for mounting of small flush plates please order revision shaft 40 950 000 (sold separately)



## 38 525 001 **RAPID SL ELEMENT FOR WC, 1.00 M INSTALLATION HEIGHT**



### SPARE PARTS, november 2021 – now

- 1: Threaded bolt (Spare part-nr. 4276400M)
  - 2: WC inlet and outlet connecting set (Spare part-nr. 37311K00)
  - 2.1: Basin fastening (Spare part-nr. 43511SH0)
  - 2.2: Connector (Spare part-nr. 37119000)
  - 3: PP-outlet bend Ø 90 mm (Spare part-nr. 42327000)
  - 4: Reducer (Spare part-nr. 42242000)
  - 5: Support for outlet bend (Spare part-nr. 42243000)
  - 6: Inspection shaft for flushing cistern (Spare part-nr. 42326000)
  - 7: Filling valve (Spare part-nr. 37095000)
  - 7.1: Lever (Spare part-nr. 43734000)
  - 7.1.1: Seal (Spare part-nr. 4377000M)
  - 7.2: Valve head (Spare part-nr. 43536000)
  - 7.3: Membrane (Spare part-nr. 4375800M)
  - 7.4: Screw cap (Spare part-nr. 43735000)
  - 7.5: Valve float, 5 pcs. (Spare part-nr. 4379100M)
  - 7.6: Set of seals (Spare part-nr. 43722000)\*
  - 8: Support device (Spare part-nr. 42195000)
  - 9: Overflow Sleeve (Spare part-nr. 43325000)
  - 9.1: Sealing washer (Spare part-nr. 0319100M)
  - 10: Discharge valve AV1 complete (Spare part-nr. 42314000)
  - 10.1: Pneumatic hose (Spare part-nr. 42319000)
  - 10.2: Seal (Spare part-nr. 42310000)
  - 10.3: Valve seat for GD2 (Spare part-nr. 42315000)
  - 11: Water connection (Spare part-nr. 48561000)
  - 12: Wall brackets (Spare part-nr. 3855800M)\*
  - 13: Flow restrictor (Spare part-nr. 42300000)\*
  - 14: Retrofit kit for shower toilets Sensia Arena and Sensia Pro (Spare part-nr. 40899000)\*
  - 15: Set for noise protection (Spare part-nr. 37131000)\*
  - 16: Xtra wall brackets, flexible placing (Spare part-nr. 38733000)\*
  - 17: Extension (Spare part-nr. 38629000)\*
  - 18: Accessory (Spare part-nr. 38779000)\*
  - 19: Retrofit set (Spare part-nr. 38796000)\*
- \* Optional accessories