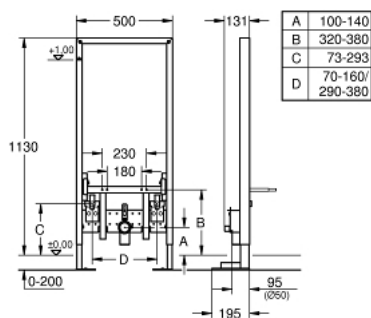


## 38 581 001 RAPID SL ELEMENT FOR BIDET, 1.13 M INSTALLATION HEIGHT

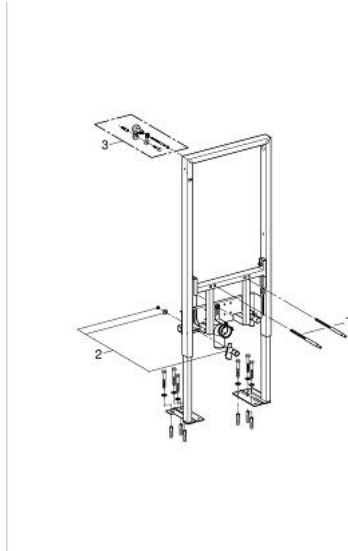


### PRODUCT DESCRIPTION

- for free-standing installation, for on-the-wall installations or studded walls
- powder coated steel frame, self-supporting
- pre-assembled
- height adjustable fitting connections
- lockable
- TÜV approved
- fixing material
- bidet fixing bolts
- HT-outlet bend Ø 50 mm
- seal Ø 32 mm
- 2 fitting connections 1/2"
- fixing material for bidet
- for on-the-wall installation please order wall brackets 38 558 00M (sold separately)



## 38 581 001 **RAPID SL ELEMENT FOR BIDET, 1.13 M INSTALLATION HEIGHT**



**SPARE PARTS**, februar 2014 – now

1: Threaded bolt (Spare part-nr. 4276400M)

2: Fitting connection (Spare part-nr. 42944000)

3: Wall brackets (Spare part-nr. 3855800M)\*

\* Optional accessories