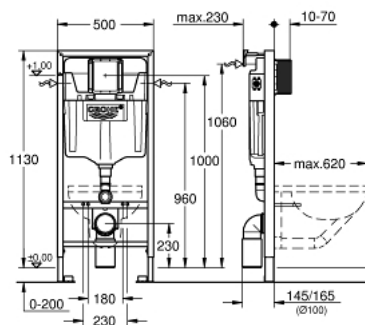


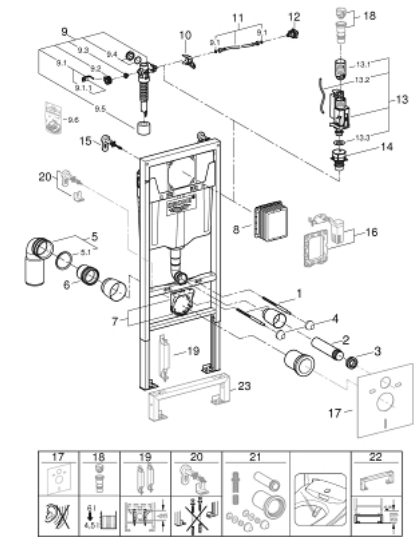
## 38 680 001 RAPID SL ELEMENT FOR WC, 1.13 M INSTALLATION HEIGHT



### PRODUCT DESCRIPTION

- with flushing cistern GD 2, 6 - 9 l
- for on-the-wall installations or studded walls
- powder coated steel frame, self-supporting
- for dry-cladding, completely pre-assembled
- with fixed connections
- quick adjustment, lockable
- fixing material
- NF approved
- 2 WC fixing bolts
- fixing device for ceramic
- WC ceramics with small bearing area (less than 205 mm) require additional accessory 38 779 000
- distance of fixing bolts 180/230 mm
- PVC outlet bend 100 mm
- spacer  $\varnothing$  80 mm
- inlet and outlet connecting set
- flushing cistern GD 2, 6 - 9 l, containing following features:
  - adjustment ex factory 6 l and 3 l
  - pneumatic discharge valve offering 3 modes of operation: dual flush or start/stop or single flush
  - water supply from left/right or back
  - low noise (group I acc. to German Noise Specification)
  - insulated against condensation
- 1/2" water supply connection including integrated angle valve and push fit flexible hose union
- no tools required for the installation of the inspection shaft including protection during construction phase
- for vertical or horizontal use
- including wall brackets 38 558 00M for on-the-wall installation
- for mounting of small flush plates please order revision shaft 40 911 000 (sold separately)

## 38 680 001 RAPID SL ELEMENT FOR WC, 1.13 M INSTALLATION HEIGHT



### SPARE PARTS, oktober 2021 – now

- 1: Threaded bolt (Spare part-nr. 4276400M)
  - 2: Wall union (Spare part-nr. 43352000)
  - 3: Connector (Spare part-nr. 37119000)
  - 4: Basin fastening (Spare part-nr. 43511SH0)
  - 5: PVC waste bend (Spare part-nr. 42216000)
  - 5.1: Sealing washer (Spare part-nr. 4207700M)
  - 6: Distance pipe 3" (Spare part-nr. 42766000)
  - 7: Support for outlet bend (Spare part-nr. 42243000)
  - 8: Inspection shaft (Spare part-nr. 66791000)
  - 9: Filling valve (Spare part-nr. 37095000)
  - 9.1: Lever (Spare part-nr. 43734000)
  - 9.1.1: Seal (Spare part-nr. 4377000M)
  - 9.2: Valve head (Spare part-nr. 43536000)
  - 9.3: Membrane (Spare part-nr. 4375800M)
  - 9.4: Screw cap (Spare part-nr. 43735000)
  - 9.5: Valve float, 5 pcs. (Spare part-nr. 4379100M)
  - 9.6: Set of seals (Spare part-nr. 43722000)\*
  - 10: Support device (Spare part-nr. 42246000)
  - 11: Connecting hose (Spare part-nr. 42233000)
  - 11.1: Sealing washer (Spare part-nr. 0319100M)
  - 12: Water connection (Spare part-nr. 48561000)
  - 13: Dual Flush discharge valve AV1 (Spare part-nr. 42320000)
  - 13.1: Extension for overflow pipe (Spare part-nr. 42313000)
  - 13.2: Pneumatic hose (Spare part-nr. 42319000)
  - 13.3: Seal (Spare part-nr. 42310000)
  - 14: Valve seat for GD2 (Spare part-nr. 42315000)
  - 15: Wall brackets (Spare part-nr. 3855800M)
  - 16: Retrofit set (Spare part-nr. 38796000)\*
  - 17: Set for noise protection (Spare part-nr. 37131000)\*
  - 18: 4.5 l adapter for GD2 (Spare part-nr. 42333000)\*
  - 19: Accessory (Spare part-nr. 38779000)\*
  - 20: Xtra wall brackets, flexible placing (Spare part-nr. 38733000)\*
  - 21: Retrofit kit for shower toilets Sensia Arena and Sensia Pro (Spare part-nr. 40899000)\*
  - 22: Extension (Spare part-nr. 38629000)\*
- \* Optional accessories